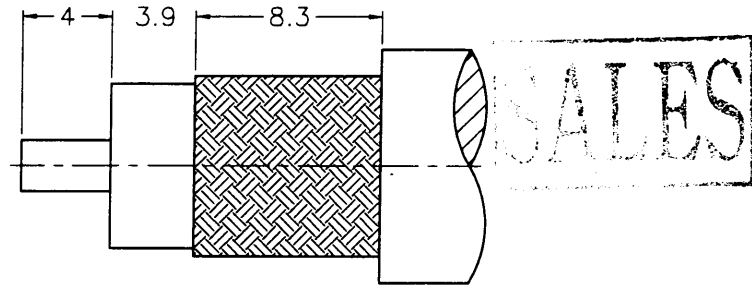
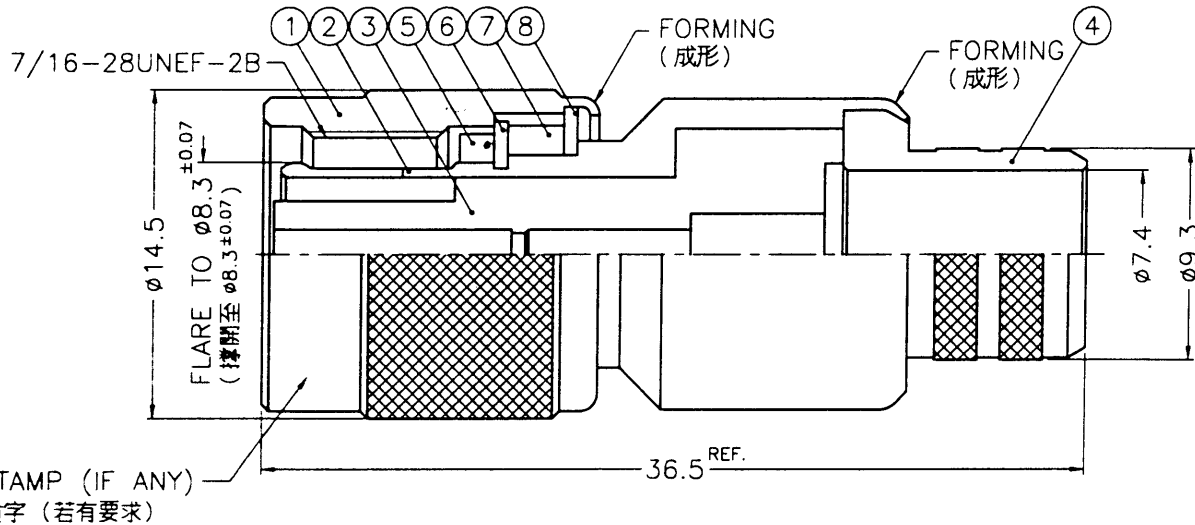
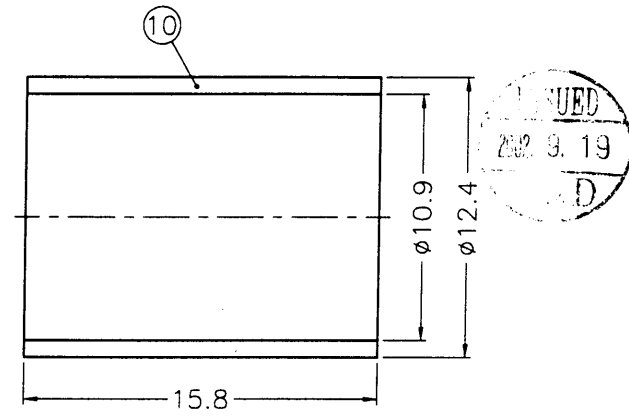
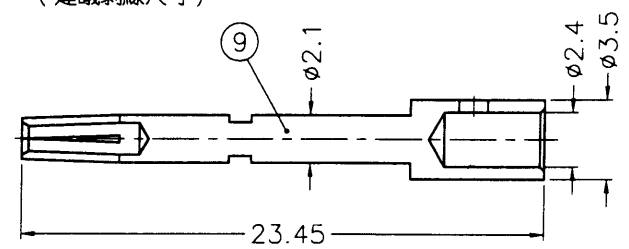


REVISIONS		
ISS	ZONE	DESCRIPTION\PER REQUEST\DATE
B	A-3	NO.4 WAS CHANGED\RD-DM91052301K\05-23-02'



RECOMMENDED
CABLE STRIPPING DIM'S
(建議剝線尺寸)



- NOTES: FINISH (PLATING THICKNESS IN MICRO-INCHES)
1. BRASS PER QQ-B-626
 2. BRASS PER QQ-B-613
 3. NICKEL PL. 100 MIN. THICK OVER COPPER STRIKE
 4. PHOSPHOR BRONZE PER QQ-B-750
 5. GOLD PL. 3 MIN. THICK OVER NICKEL PL. 100 MIN. THICK OVER COPPER STRIKE
 6. TEFLON MIL-P-19468
 7. JIS H 3250, C 2600

1. CRIMPED FERRULE
HEX CRIMP SIZE .429"
2. CRIMPED CONTACT PIN
HEX CRIMP SIZE .118"

10	FERRULE	NOTE 7	NOTE 3	1	FR-124/109X158
9	CONTACT PIN	NOTE 4	NOTE 5	1	RT1121A6-9-35/24
8	WASHER	NOTE 2	NOTE 3	1	WS-128/9X08
7	RING	DELTRIN	NATURAL	1	T50000-6-A
6	RETAINER RING	NOTE 1	NOTE 3	1	B50000-5
5	GASKET	RUBBER	RED	1	GS-105/8X15
4	BARREL	NOTE 1	NOTE 3	1	N5000-3-93/74-B
3	INSULATOR	NOTE 6	NATURAL	1	RT1121A6-3T-50
2	BODY	NOTE 1	NOTE 3	1	RT1121A6-2
1	SHELL	NOTE 1	NOTE 3	1	T50000-1-B
NO.	DESCRIPTION	MATERIAL	FINISH	Q'TY	DRAWING NO.

DIMENSIONS ARE IN MILLIMETERS			PART NO.	
UNLESS OTHERWISE SPECIFIED TOLERANCES			APPROVED	DATE
0.5-6	= ±0.2		<i>Mark</i>	09-17-02'
6-30	= ±0.4			
30-120	= ±0.6		CHECKED	DATE
120-315	= ±1		<i>Karl</i>	09-17-02'
315-1000	= ±1.6		DRAWN	DATE
1000-2000	= ±2.4		<i>Angela W</i>	09-17-02'
SCALE	3/1	ISSUE	B	FILE NO. F:\DWG\RT\1121A6\213U-50\NT3G

Amphenol - Kai Jack	
TAINAN TAIWAN	
TITLE	TNC REVERSE POLARITY CRIMP PLUG
DRAWING NO.	KJ-RT1121A6-NT3G-213U-50
ITEM NO.	521121AAB25NA5F

7RD-DR 155408