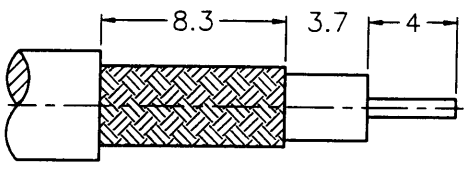
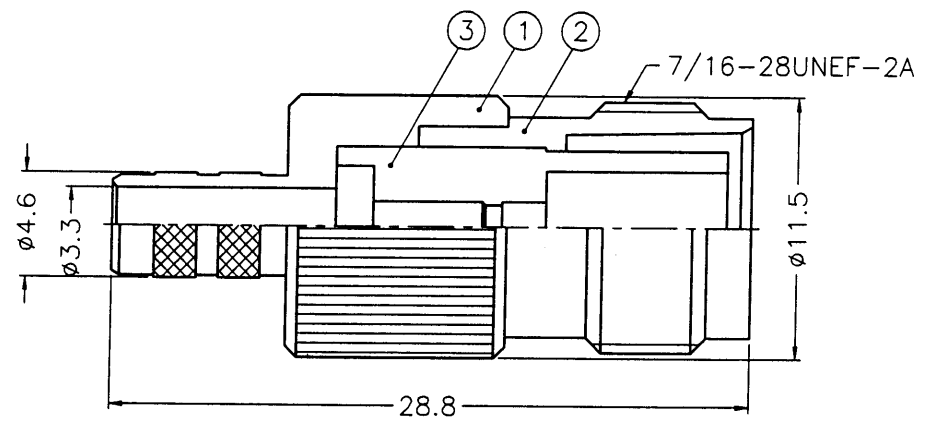
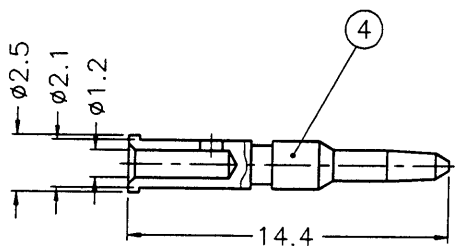
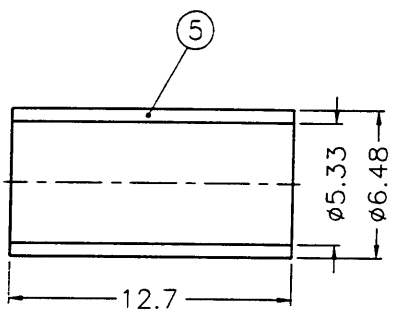


業務部



RECOMMENDED
CABLE STRIPPING DIM'S
(建議剝線尺寸)



- NOTES: FINISH (PLATING THICKNESS IN MICRO-INCHES)
- BRASS PER QQ-B-626
 - NICKEL PL. 100 MIN. THICK OVER COPPER STRIKE
 - GOLD PL. 3 MIN. THICK OVER NICKEL PL. 100 MIN. THICK OVER COPPER STRIKE
 - TEFLON MIL-P-19468

出圖
2001.3.13
設計部

- CRIMPED FERRULE
HEX CRIMP SIZE .213"
- CRIMPED CONTACT PIN
HEX CRIMP SIZE .068"

REVISIONS					DIMENSIONS ARE IN MILLIMETERS				PART NO.		Amphenol - Kai Jack	
ISS	ZONE	DESCRIPTION\PER REQUEST\DATE			UNLESS OTHERWISE SPECIFIED TOLERANCES				APPROVED	DATE	TAINAN TAIWAN	
					0.5-6 = ±0.2				AOK C	03-13-01'	TITLE	
					6-30 = ±0.4					DATE	TNC REVERSE POLARITY CRIMP JACK	
					30-120 = ±0.6				CHECKED	DATE	DRAWING NO.	
					120-315 = ±1				Gaisley	03-13-01'	KJ-RT6121A1-NT3G-LMR200-50	
					315-1000 = ±1.6					DATE	FILE NO. F:\DWG\RT\6121A1\L200-50\NT3G	
					1000-2000 = ±2.4				DRAWN	03-13-01'		
NO.	DESCRIPTION	MATERIAL	FINISH	Q'TY	DRAWING NO.	SCALE	3/1	ISSUE	A			
5	FERRULE	COOPER	NONE	1	FR-648/533X 127C							
4	CONTACT PIN		NONE	1	RT6121A1-4-25/ 12							
3	INSULATOR		NATURAL	1	RT6121A1-3T-50							
2	BODY		NONE	1	RT6421G1-2							
1	HOUSING		NONE	1	B70000-1-46/33							

RDBDR11819