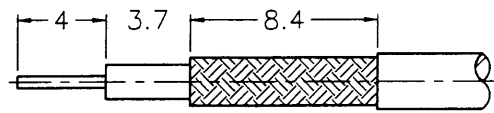
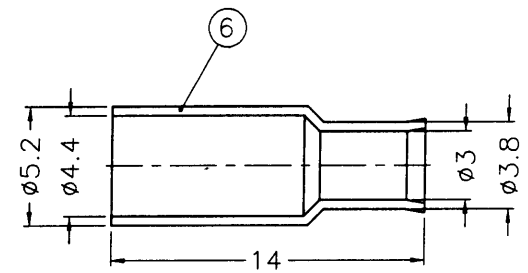
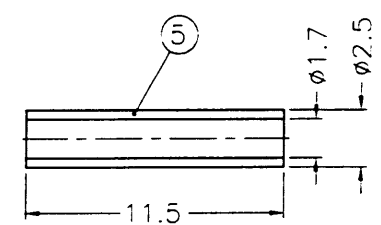
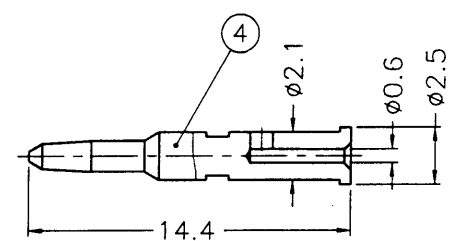
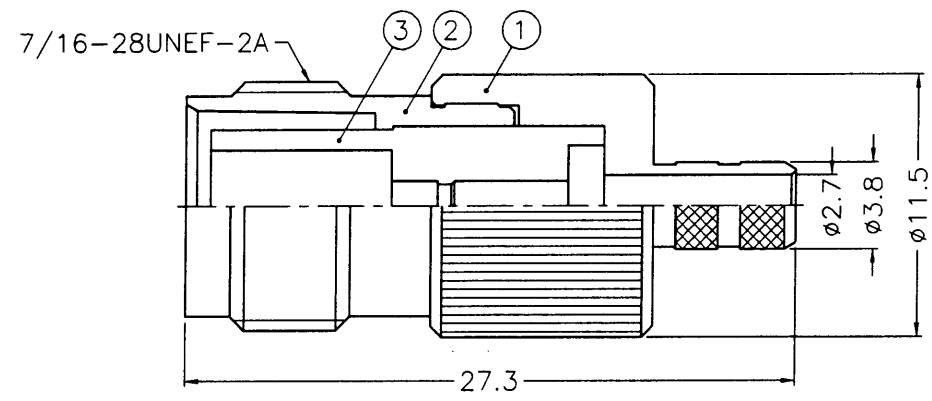


REVISIONS			
ISS	ZONE	DESCRIPTION\PER REQUEST\DATE	

業務部



RECOMMENDED
CABLE STRIPPING DIM'S
(建議剝線尺寸)



- NOTES: FINISH (PLATING THICKNESS IN MICRO-INCHES)
1. BRASS PER QQ-B-626
 2. NICKEL PL. 100 MIN. THICK OVER COPPER STRIKE
 3. GOLD PL. 3 MIN. THICK OVER NICKEL PL. 100 MIN. THICK OVER COPPER STRIKE
 4. TEFLON MIL-P-19468
 5. JIS H 3260, C 3501

1. CRIMPED FERRULE
HEX CRIMP SIZE .178"
2. CRIMPED CONTACT PIN
HEX CRIMP SIZE .068"

NO.	DESCRIPTION	MATERIAL	FINISH	Q'TY	DRAWING NO.	SCALE	3/1	ISSUE	A	PART NO.	TITLE
6	FERRULE	NOTE 5	NOTE 2	1	FR-52/44-38/3 X14	DIMENSIONS ARE IN MILLIMETERS				Amphenol - Kai Jack TAINAN TAIWAN TNC REVERSE POLARITY CRIMP JACK (FOR RG-174/U, 188A/U, 316/U) DRAWING NO. KJ-RT6121E1-NT3G-316U-50 FILE NO. F:\DWG\RT\6121E1\316U-50\NT3G	
5	SLEEVE	DELTRIN	NATURAL	1	SL-25/17X115	UNLESS OTHERWISE SPECIFIED TOLERANCES					
4	CONTACT PIN	NOTE 1	NOTE 3	1	RT6121A1-4-25/06	0.5-6 = ±0.2					
3	INSULATOR	NOTE 4	NATURAL	1	RT6121A1-3T-50	6-30 = ±0.4					
2	BODY	NOTE 1	NOTE 2	1	RT6421G1-2	30-120 = ±0.6					
1	HOUSING	NOTE 1	NOTE 2	1	B70002-1-38/27	120-315 = ±1					
						315-1000 = ±1.6				APPROVED	DATE
						1000-2000 = ±2.4				CHECKED	DATE
										DRAWN	DATE

APPROVED: [Signature] DATE: 10-13-00'
 CHECKED: [Signature] DATE: 10-13-00'
 DRAWN: [Signature] DATE: 10-13-00'

A

A