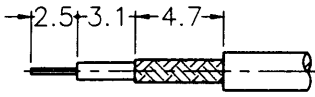


1 2 3 4 5 6 7 8

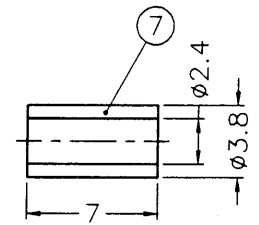
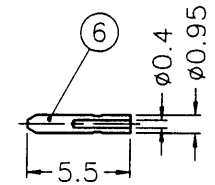
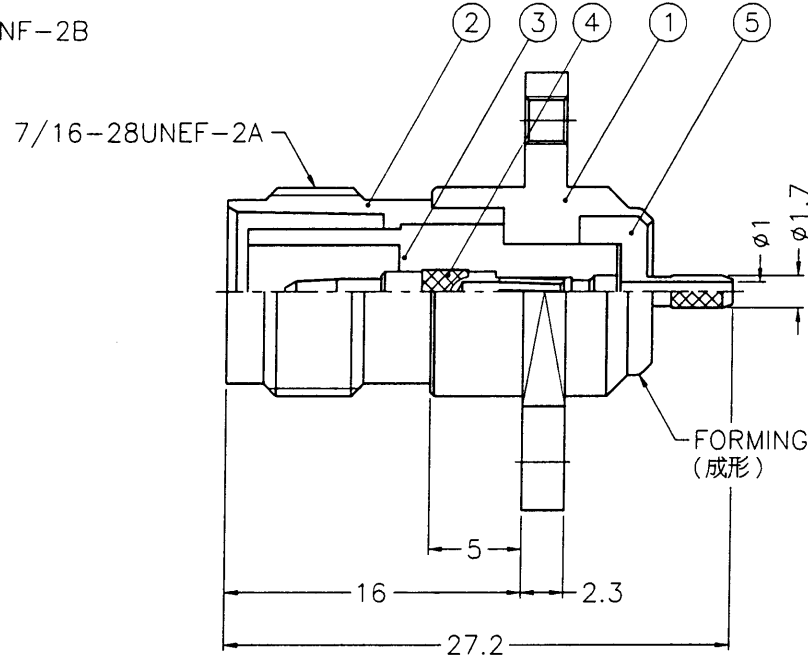
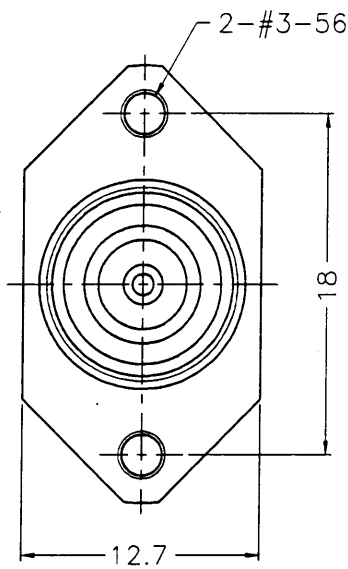
REVISIONS			
ISS	ZONE	DESCRIPTION\PER REQUEST\DATE	



RECOMMENDED
CABLE STRIPPING DIM'S
(建議剝線尺寸)

業務部

F
E
D
C
B
A



NOTES: FINISH (PLATING THICKNESS IN MICRO-INCHES)
 1. BRASS PER QQ-B-626
 2. NICKEL PL. 100 MIN. THICK OVER COPPER STRIKE
 3. PHOSPHOR BRONZE PER QQ-B-750
 4. GOLD PL. 3 MIN. THICK OVER NICKEL PL. 100 MIN. THICK OVER COPPER STRIKE
 5. TEFLON MIL-P-19468

中國
2000.9.22
設計部

1. CRIMPED FERRULE
HEX CRIMP SIZE .128"
2. CRIMPED CONTACT PIN
SQ. CRIMP SIZE 0.7(mm)

DIMENSIONS ARE IN MILLIMETERS					PART NO.		Amphenol - Kai Jack		
7	FERRULE	COPPER	NOTE 2	1	FR-38/24X7C	UNLESS OTHERWISE SPECIFIED TOLERANCES		TAINAN TAIWAN	
6	CONTACT PIN	NOTE 1	NOTE 4	1	B50003-9-0.4	0.5-6 = ±0.2	APPROVED	TNC REVERSE POLARTY BULKHEAD	
5	BARREL	NOTE 1	NOTE 2	1	B6421G1-5-17/1	6-30 = ±0.4	DATE	CRIMP JACK (FOR RG-178B/U,196A/U)	
4	CONTACT PIN	NOTE 3	NOTE 4	1	RT6421G1-4	30-120 = ±0.6	DATE	DRAWING NO.	
3	INSULATOR	NOTE 5	NATURAL	1	RT6421G1-3T-50	120-315 = ±1	DATE	KJ-RT6521G2-001-NT3G-196AU-50	
2	BODY	NOTE 1	NOTE 2	1	RT6421G1-2	315-1000 = ±1.6	DATE	FILE NO.	
1	HOUSING	NOTE 1	NOTE 2	1	RT6521G2-001-1	1000-2000 = ±2.4	DATE	F:\DWG\RT\6521G2\001\196AU-50\NT3G	
NO.	DESCRIPTION	MATERIAL	FINISH	Q'TY	DRAWING NO.	SCALE	2.5/1	ISSUE	A

APPROVED *Jack C* DATE 09-21-00'
 CHECKED *Jacky* DATE 09-21-00'
 DRAWN *Jacky* DATE 09-21-00'

A

A

1 2 3 4 5 6 7 8

RD-DR10524