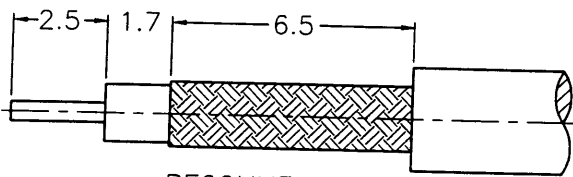
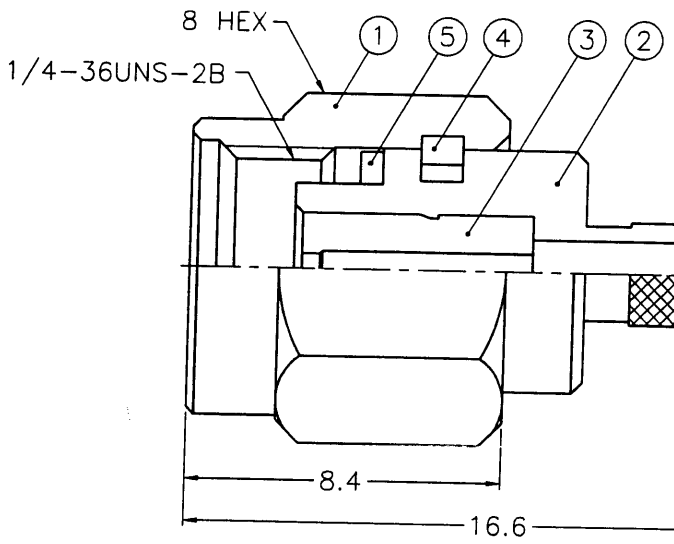
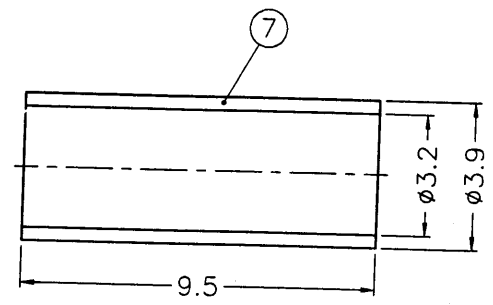
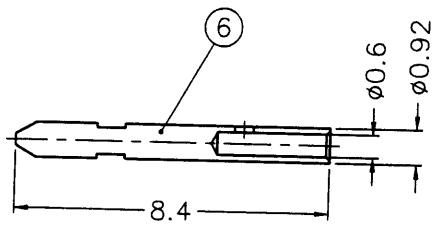


REVISIONS			
ISS	ZONE	DESCRIPTION\PER REQUEST\DATE	
B	A-1	NO.1 WAS CHANGED\RD-DM89042001C\04-20-00'	

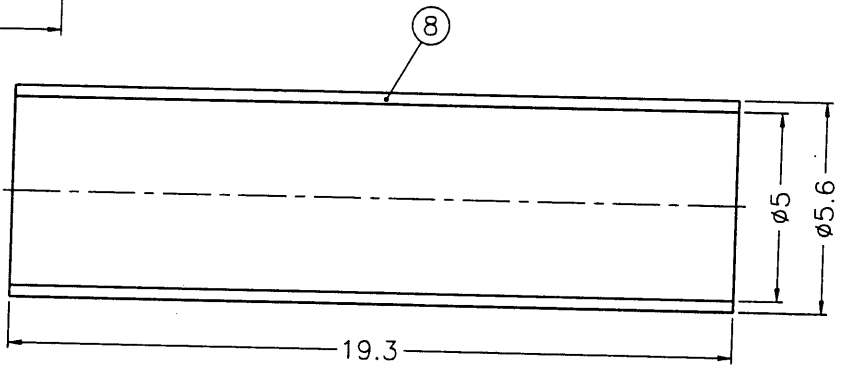
業務部



RECOMMENDED  
CABLE STRIPPING DIM'S  
(建議剝線尺寸)



- NOTES: FINISH (PLATING THICKNESS IN MICRO-INCHES)
- BRASS PER QQ-B-626
  - NICKEL PL. 100 MIN. THICK OVER COPPER STRIKE
  - BERYLLIUM COPPER PER QQ-C-530
  - GOLD PL. 50 MIN. THICK OVER NICKEL PL. 100 MIN. THICK OVER COPPER STRIKE
  - TEFLON MIL-P-19468
  - JIS H 3250, C 2700



出圖  
80.5.24  
設計部

1. CRIMPED FERRULE  
HEX CRIMP SIZE .128"

NO.	DESCRIPTION	MATERIAL	FINISH	Q'TY	DRAWING NO.
8	HEAT SHRINK TUBING			1	HT-56/5X193
7	FERRULE	NOTE 6	NOTE 2	1	FR-39/32X95
6	CONTACT PIN	NOTE 1	NOTE 4	1	SMA1111A2-6-092/06
5	GASKET	SILICONE	RED	1	GS-6/43X06
4	RETAINER RING	NOTE 3	NATURAL	1	SMA5000-4-B
3	INSULATOR	NOTE 5	NATURAL	1	SMA1111A2-3T-50-B
2	BODY	NOTE 1	NOTE 2	1	SMA1111A2-2-27/17-A
1	SHELL	NOTE 1	NOTE 2	1	SMA5000-1-C

DIMENSIONS ARE IN MILLIMETERS				PART NO.	
UNLESS OTHERWISE SPECIFIED TOLERANCES					
0.5-6 = ±0.2				APPROVED <i>Andy C</i> DATE 05-23-00'	
6-30 = ±0.4				CHECKED <i>Andy C</i> DATE 05-23-00'	
30-120 = ±0.6				DRAWN <i>Irene L</i> DATE 05-23-00'	
120-315 = ±1					
315-1000 = ±1.6					
1000-2000 = ±2.4					
SCALE	5/1	ISSUE	B		

<b>Amphenol - Kai Jack</b> TAINAN TAIWAN	
TITLE	SMA CRIMP PLUG (RG-174/U,188A/U,316/U)
DRAWING NO.	KJ-SMA1111A2-NT50G-316U-50
FILE NO.	F:\DWG\SMA\1111A2\316U-50\NT50G

F  
E  
D  
C  
B  
A

F  
E  
D  
C  
B  
A