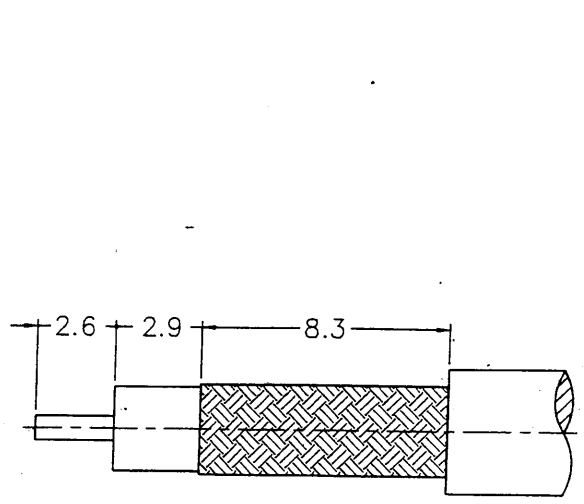
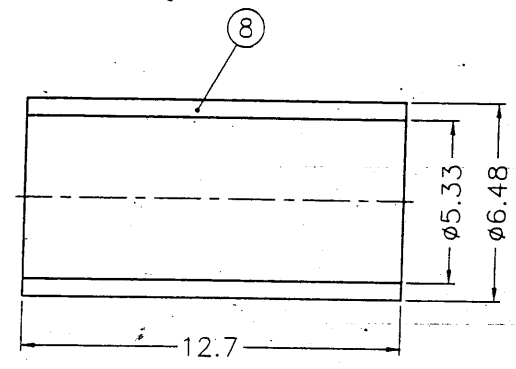
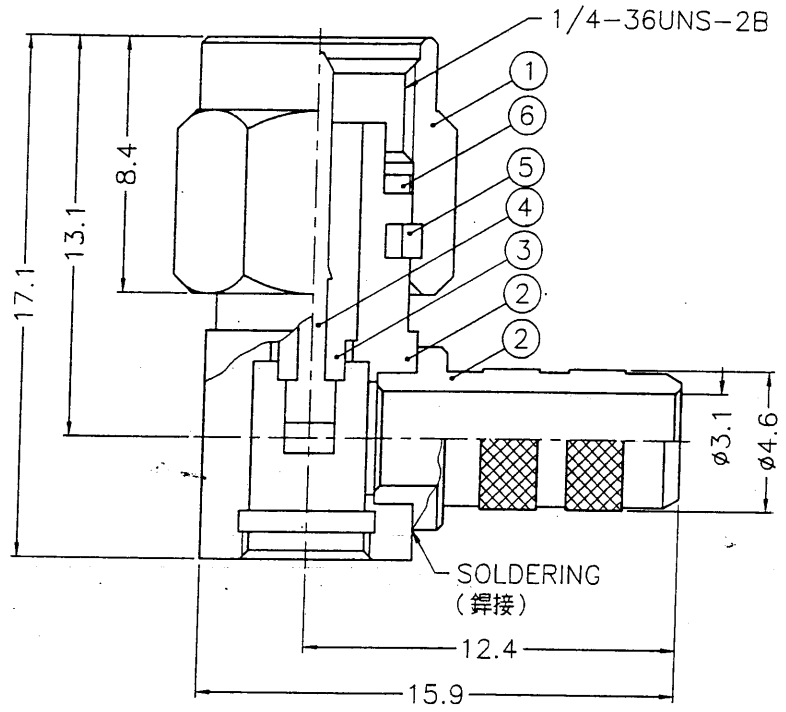


業務部

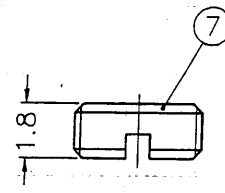
REVISIONS			
ISS	ZONE	DESCRIPTION	PER REQUEST\DATE
B	A-1	NO.1 WAS CHANGED	RD-DM89042001C\04-20-00'



RECOMMENDED
CABLE STRIPPING DIM'S
(建議剝線尺寸)



- NOTES: FINISH (PLATING THICKNESS IN MICRO-INCHES)
1. BRASS PER QQ-B-626
 2. NICKEL PL. 100 MIN. THICK OVER COPPER STRIKE
 3. BERYLLIUM COPPER PER QQ-C-530
 4. GOLD PL. 50 MIN. THICK OVER NICKEL PL. 100 MIN. THICK OVER COPPER STRIKE
 5. TEFLON MIL-P-19468



1. CRIMPED FERRULE
HEX CRIMP SIZE .213"

出圖
89.6.19

NO.	DESCRIPTION	MATERIAL	FINISH	Q'TY	DRAWING NO.
8	FERRULE	COPPER	NOTE 2	1	FR-648/533X 127C
7	COVER	NOTE 1	NOTE 2	1	SMA1112A3-8-B
6	GASKET	SILICONE	RED	1	GS-6/43X06
5	RETAINER RING	NOTE 3	NATURAL	1	SMA5000-4-B
4	CONTACT PIN	NOTE 1	NOTE 4	1	SMA1112A4-4-B
3	INSULATOR	NOTE 5	NATURAL	1	SMA1112A3-3T-50
2	HOUSING WITH BARREL	NOTE 1	NOTE 2	1	SMA1112A4-2S-46/31
1	SHELL	NOTE 1	NOTE 2	1	SMA5000-1-C

DIMENSIONS ARE IN MILLIMETERS		PART NO.	
UNLESS OTHERWISE SPECIFIED TOLERANCES		APPROVED <i>Andy C</i> DATE 06-15-00'	
0.5-6 = ±0.2		CHECKED <i>Andy C</i> DATE 06-15-00'	
6-30 = ±0.4		DRAWN <i>Gene L</i> DATE 06-15-00'	
30-120 = ±0.6			
120-315 = ±1			
315-1000 = ±1.6			
1000-2000 = ±2.4			

Amphenol - Kai Jack TAINAN TAIWAN	
TITLE SMA R/A CRIMP PLUG (FOR RG-58C/U,58/U)	
DRAWING NO. KJ-SMA1112A4-NT50G-58U-50	
FILE NO. F:\DWG\SMA\1112A4\58U-50\NT50G	