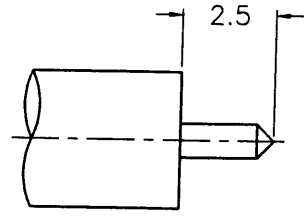


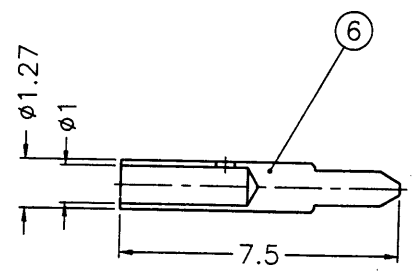
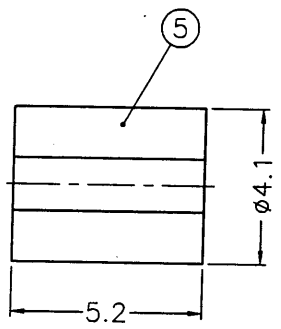
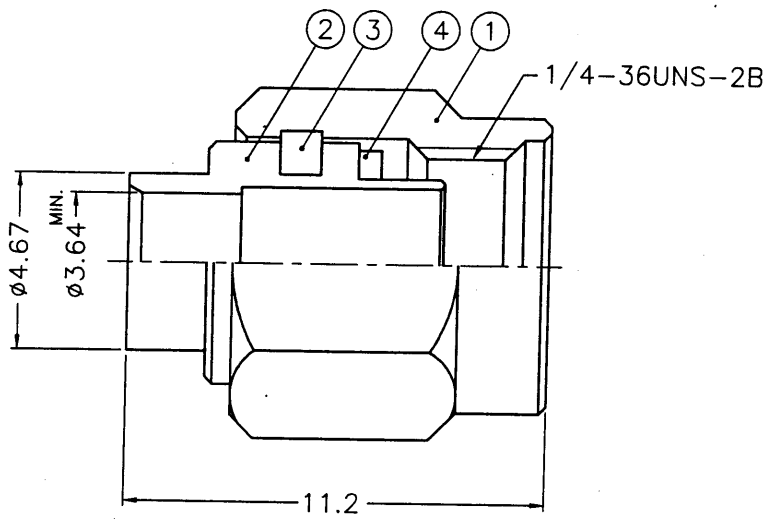
1 2 3 4 5 6 7 8

REVISIONS		
ISS	ZONE	DESCRIPTION\APPROVED\DATE
B	A-1	NO.1 WAS CHANGED\RD-DM89042001C\04-20-00'

業務部



RECOMMENDED
CABLE STRIPPING DIM'S
(建議剝線尺寸)



NOTES: FINISH (PLATING THICKNESS IN MICRO-INCHES)
 1. BRASS PER QQ-B-626
 2. GOLD PL. 3 MIN. THICK OVER NICKEL PL. 100 MIN. THICK OVER COPPER STRIKE
 3. BERYLLIUM COPPER PER QQ-C-530
 4. GOLD PL. 50 MIN. THICK OVER NICKEL PL. 100 MIN. THICK OVER COPPER STRIKE
 5. TEFLON MIL-P-19468

出圖
89.6.08
設計部

NO.	DESCRIPTION	MATERIAL	FINISH	Q'TY	DRAWING NO.	SCALE	5/1	ISSUE	B
6	CONTACT PIN			1	SMA5081-6-127/1	DIMENSIONS ARE IN MILLIMETERS UNLESS OTHERWISE SPECIFIED TOLERANCES 0.5-6 = ±0.2 6-30 = ±0.4 30-120 = ±0.6 120-315 = ±1 315-1000 = ±1.6 1000-2000 = ±2.4			
5	INSULATOR			1	SMA5081-5T-50				
4	GASKET	SILICONE	RED	1	GS-6/43X06				
3	RETAINER RING			1	SMA5000-4-B				
2	BODY			1	SMA5081-2-467/364-A				
1	SHELL			1	SMA5000-1-C				
PART NO.						APPROVED <i>A. C.</i> DATE 06-05-00'			
TITLE						CHECKED <i>Andy. C</i> DATE 06-05-00'			
DRAWING NO.						DRAWN <i>Joyce. Y</i> DATE 06-05-00'			
FILE NO.						F:\DWG\SMA\1181A1\141-50\3GT50G			

Amphenol - Kai Jack
TAINAN TAIWAN

SMA SEMI-RIGID PLUG

KJ-SMA1181A1-3GT50G-.141-50

RD-DR 1629

F
E
D
C
B
A

F
E
I
C
E
A

1 2 3 4 5 6 7 8