

1 2 3 4 5 6 7 8

REVISIONS		
ISS	ZONE	DESCRIPTION\PER REQUEST\DATE
B	A-1	NO.1 WAS CHANGED\RD-DM89042001C\04-20-00'

業務部

F

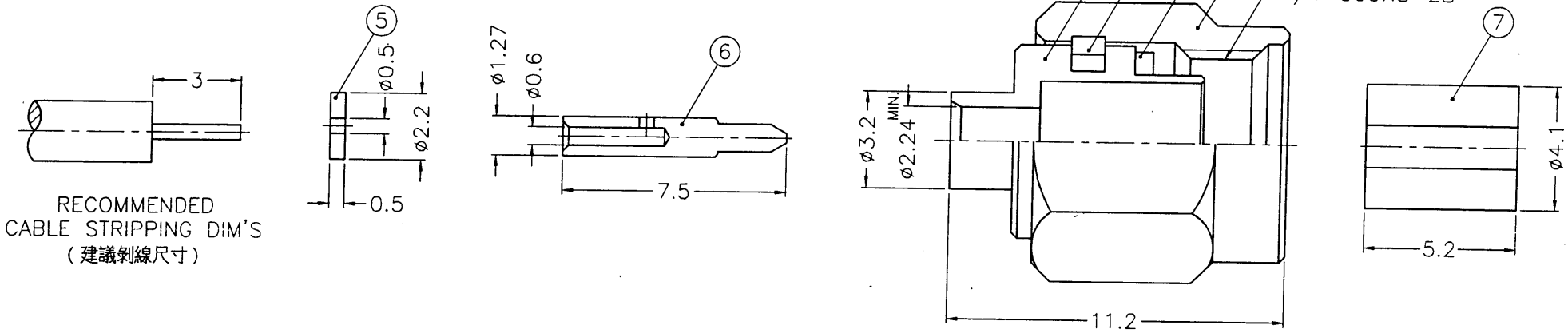
E

D

C

B

A



RECOMMENDED
CABLE STRIPPING DIM'S
(建議剝線尺寸)

- NOTES: FINISH (PLATING THICKNESS IN MICRO-INCHES)
1. BRASS PER QQ-B-626
 2. GOLD PL. 3 MIN. THICK OVER NICKEL PL. 100 MIN. THICK OVER COPPER STRIKE
 3. GOLD PL. 50 MIN. THICK OVER NICKEL PL. 100 MIN. THICK OVER COPPER STRIKE
 4. BERYLLIUM COPPER PER QQ-C-530
 5. TEFLON MIL-P-19468

6.01
設計部

NO.	DESCRIPTION	MATERIAL	FINISH	Q'TY	DRAWING NO.
7	INSULATOR	NOTE 5	NATURAL	1	SMA5081-5T-50
6	CONTACT PIN	NOTE 1	NOTE 3	1	SMA5081-6-127/06
5	INSULATOR	NOTE 5	NATURAL	1	SMA1181A2-5T-50
4	GASKET	SILICONE	RED	1	GS-6/43X06
3	RETAINER RING	NOTE 4	NATURAL	1	SMA5000-4-B
2	BODY	NOTE 1	NOTE 2	1	SMA5081-2-32/224-A
1	SHELL	NOTE 1	NOTE 2	1	SMA5000-1-C

DIMENSIONS ARE IN MILLIMETERS			
UNLESS OTHERWISE SPECIFIED TOLERANCES			
0.5-6	=	±0.2	
6-30	=	±0.4	
30-120	=	±0.6	
120-315	=	±1	
315-1000	=	±1.6	
1000-2000	=	±2.4	

PART NO.	
APPROVED	DATE 05-30-00'
CHECKED	DATE 05-30-00'
DRAWN	DATE 05-30-00'

Amphenol - Kai Jack	
TAINAN TAIWAN	
TITLE	SMA SEMI-RIGID PLUG (FOR .085", .086")
DRAWING NO.	KJ-SMA1181A2-3GT50G-.085-50
FILE NO.	F:\DWG\SMA\1181A2\085-50\3GT50G

1 2 3 4 5 6 7 8

RD-DR1587