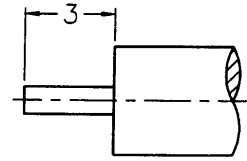
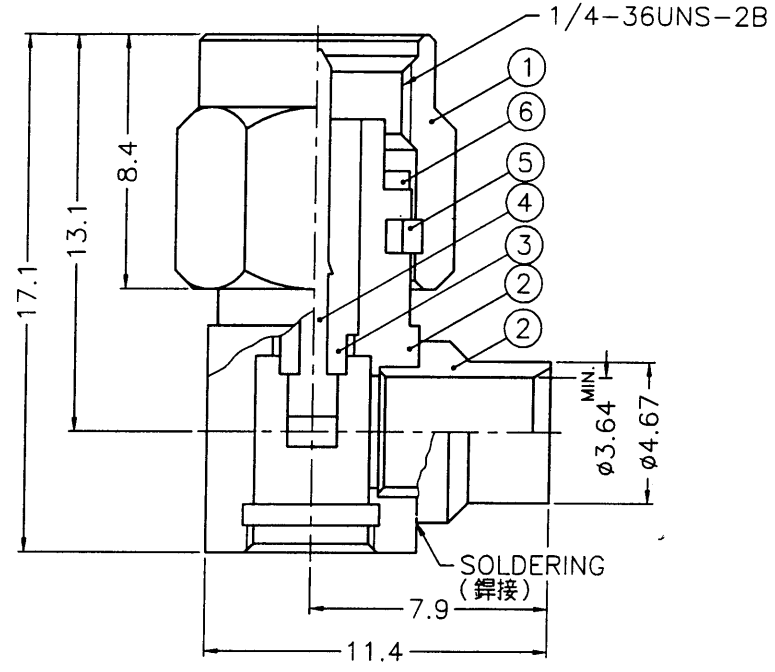


1 2 3 4 5 6 7 8

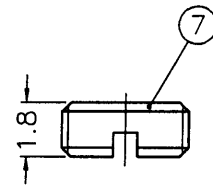
| REVISIONS | | |
|-----------|------|------------------------------|
| ISS | ZONE | DESCRIPTION\PER REQUEST\DATE |
| | | |

業務部



RECOMMENDED
CABLE STRIPPING DIM'S
(建議剝線尺寸)

- NOTES: FINISH (PLATING THICKNESS IN MICRO-INCHES)
1. BRASS PER QQ-B-626
 2. GOLD PL. 3 MIN. THICK OVER NICKEL PL. 100 MIN. THICK OVER COPPER STRIKE
 3. BERYLLIUM COPPER PER QQ-C-530
 4. GOLD PL. 50 MIN. THICK OVER NICKEL PL. 100 MIN. THICK OVER COPPER STRIKE
 5. TEFLON MIL-P-19468



出圖
89.5.29
設計部

| NO. | DESCRIPTION | MATERIAL | FINISH | Q'TY | DRAWING NO. |
|-----|-------------------|----------|---------|------|----------------------|
| 7 | COVER | NOTE 1 | NOTE 2 | 1 | SMA1112A3-8-B |
| 6 | GASKET | SILICONE | RED | 1 | GS-6/43X06 |
| 5 | RETAINER RING | NOTE 3 | NATURAL | 1 | SMA5000-4-B |
| 4 | CONTACT PIN | NOTE 1 | NOTE 4 | 1 | SMA1112A4-4-B |
| 3 | INSULATOR | NOTE 5 | NATURAL | 1 | SMA1112A3-3T-50 |
| 2 | HOUSING WITH BODY | NOTE 1 | NOTE 2 | 1 | SMA1182A2-2S-467/364 |
| 1 | SHELL | NOTE 1 | NOTE 2 | 1 | SMA5000-1-C |

| DIMENSIONS ARE IN MILLIMETERS | | | | PART NO. | |
|---------------------------------------|-----|-------|---|---------------------------------------|--|
| UNLESS OTHERWISE SPECIFIED TOLERANCES | | | | APPROVED <i>Andy C</i> DATE 05-24-00' | |
| 0.5-6 = ±0.2 | | | | CHECKED <i>Andy C</i> DATE 05-24-00' | |
| 6-30 = ±0.4 | | | | DRAWN <i>Joyce Y</i> DATE 05-24-00' | |
| 30-120 = ±0.6 | | | | | |
| 120-315 = ±1 | | | | | |
| 315-1000 = ±1.6 | | | | | |
| 1000-2000 = ±2.4 | | | | | |
| SCALE | 4/1 | ISSUE | A | | |

| Amphenol - Kai Jack | |
|---------------------|---------------------------------|
| TAINAN TAIWAN | |
| TITLE | SMA R/A DIRECT SOLDER PLUG |
| DRAWING NO. | KJ-SMA1182A2-3GT50G-.141-50 |
| FILE NO. | F:\DWG\SMA\1182A2\141-50\3GT50G |

F
E
D
C
B
A

F
E
D
C
B
A

1 2 3 4 5 6 7 8 1529