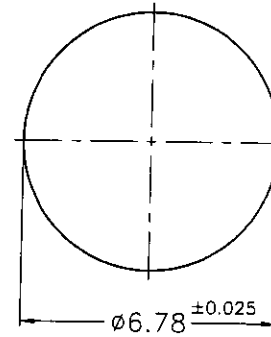
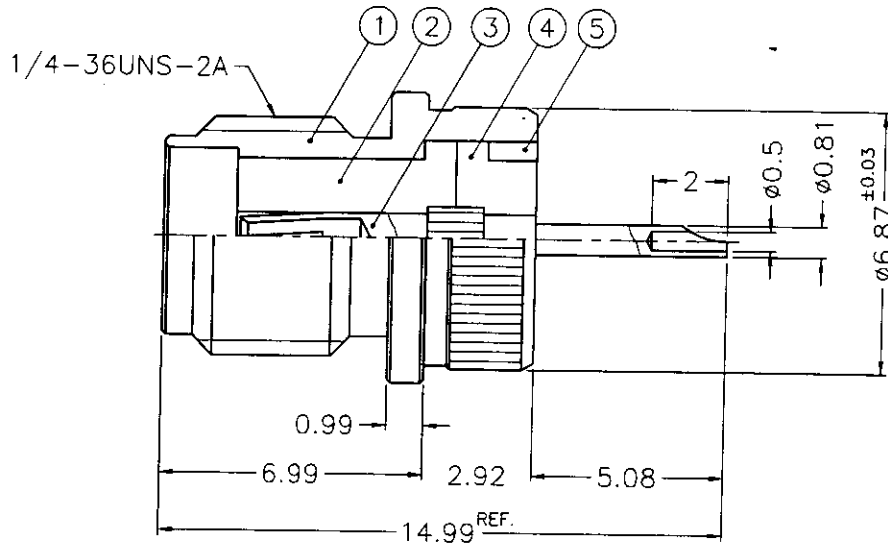


業務部



RECOMMENDED MOUNTING HOLE
(建議架設孔)

NOTES: FINISH (PLATING THICKNESS IN MICRO-INCHES)

1. STAINLESS STEEL PER QQ-S-764, TYPE 303
2. PASSIVATED PER QQ-P-35
3. BERYLLIUM COPPER PER QQ-C-530
4. GOLD PL. 50 MIN. THICK OVER NICKEL PL. 100 MIN. THICK OVER COPPER STRIKE
5. TEFLON MIL-P-19468

出圖
89.3.29
設計部

NO.	DESCRIPTION	MATERIAL	FINISH	Q'TY	DRAWING NO.	SCALE	5/1	ISSUE	A
5	RING		NOTE 1	NOTE 2	1	SMA7530-5-B			
4	INSULATOR		NOTE 5	NATURAL	1	SMA7530-4T-50			
3	CONTACT PIN		NOTE 3	NOTE 4	1	SMA6051A1-004-3			
2	INSULATOR		NOTE 5	NATURAL	1	SMA6051A1-004-2			
1	BODY		NOTE 1	NOTE 2	1	SMA6051A1-004-1			

DIMENSIONS ARE IN MILLIMETERS				PART NO.	
UNLESS OTHERWISE SPECIFIED TOLERANCES				APPROVED <i>Andy.C</i> DATE 03-21-00'	
0.5-6 = ±0.2				CHECKED <i>Andy.C</i> DATE 03-21-00'	
6-30 = ±0.4				DRAWN <i>Andy.C</i> DATE 03-21-00'	
30-120 = ±0.6					
120-315 = ±1					
315-1000 = ±1.6					
1000-2000 = ±2.4					

Amphenol - Kai Jack		
TAINAN TAIWAN		
TITLE SMA PANEL RECEPT. JACK		
DRAWING NO. KJ-SMA6051A1-004-S/PT50G-50		
FILE NO. F:\DWG\SMA\6051A1\50\SPT50G		