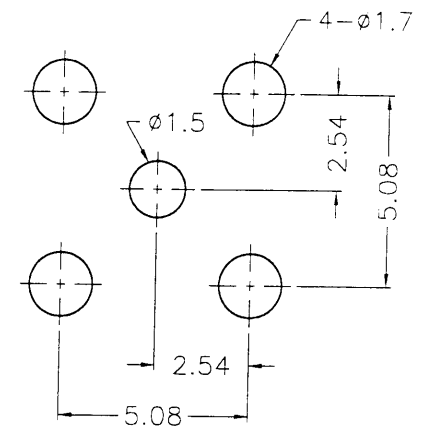
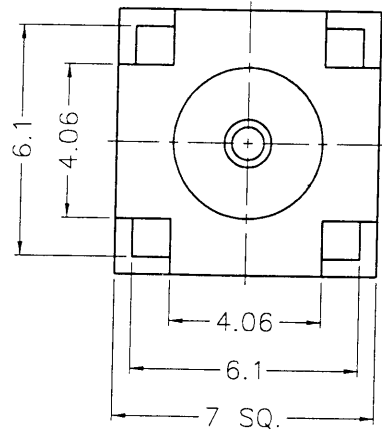
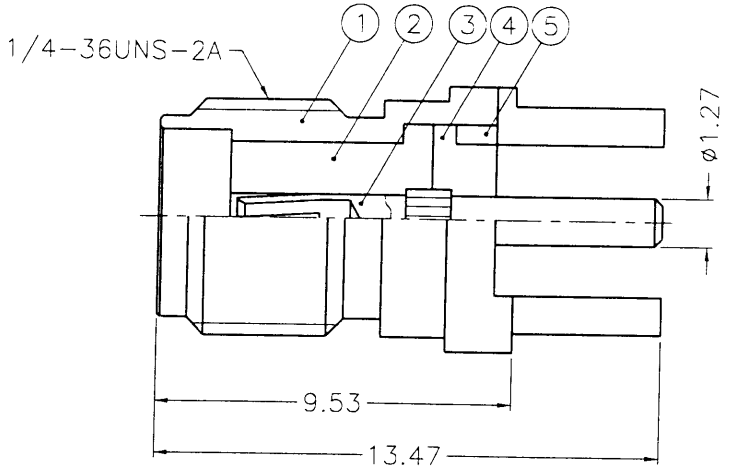


REVISIONS		
ISS	ZONE	DESCRIPTION\APPROVED\DATE

業務部



PCB MOUNTING HOLES

- NOTES: FINISH (PLATING THICKNESS IN MICRO-INCHES)
- BRASS PER QQ-B-626
 - GOLD PL. 3 MIN. THICK OVER NICKEL PL. 100 MIN. THICK OVER COPPER STRIKE
 - BERYLLIUM COPPER PER QQ-C-530
 - GOLD PL. 50 MIN. THICK OVER NICKEL PL. 100 MIN. THICK OVER COPPER STRIKE
 - TEFLON MIL-P-19468

87.8.28
R&D

DIMENSIONS ARE IN MILLIMETERS					PART NO.		KAI JACK INDUSTRIAL CO., LTD. TAINAN TAIWAN R.O.C.		
5	RING	NOTE 1	NOTE 2	1	SMA7700-5-B	APPROVED <i>Mark C</i> DATE 08-28-98'	TITLE SMA P.C.B. JACK		
4	INSULATOR	NOTE 5	NATURAL	1	SMA7700-4T-50			CHECKED <i>Mark C</i> DATE 08-28-98'	
3	CONTACT PIN	NOTE 3	NOTE 4	1	SMA7700-3			DRAWN <i>Betty S</i> DATE 08-28-98'	
2	INSULATOR	NOTE 5	NATURAL	1	SMA7530-2T-50-B	DRAWING NO. KJ-SMA6251A1-3GT50G-50			
1	BODY	NOTE 1	NOTE 2	1	SMA7700-1-B	FILE NO. F:\DWG\SMA\6252A1\50\3GT50G			
NO.	DESCRIPTION	MATERIAL	FINISH	Q'TY	DRAWING NO.	SCALE	5/1	ISSUE	A