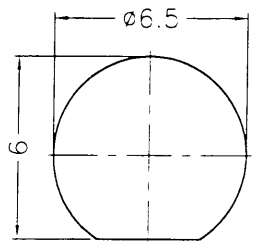
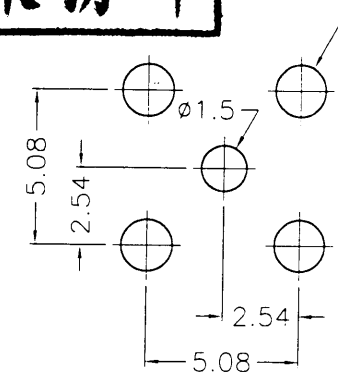
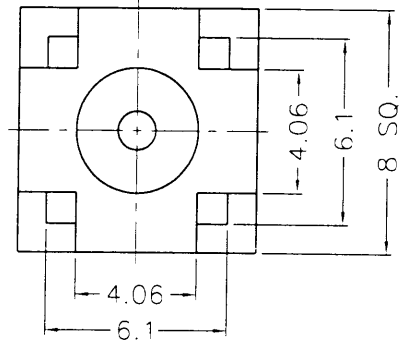


業務部

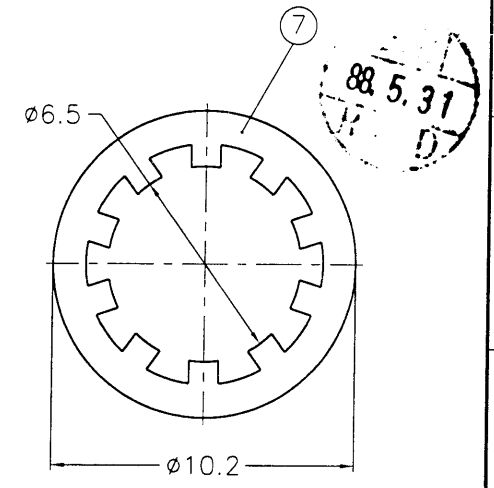
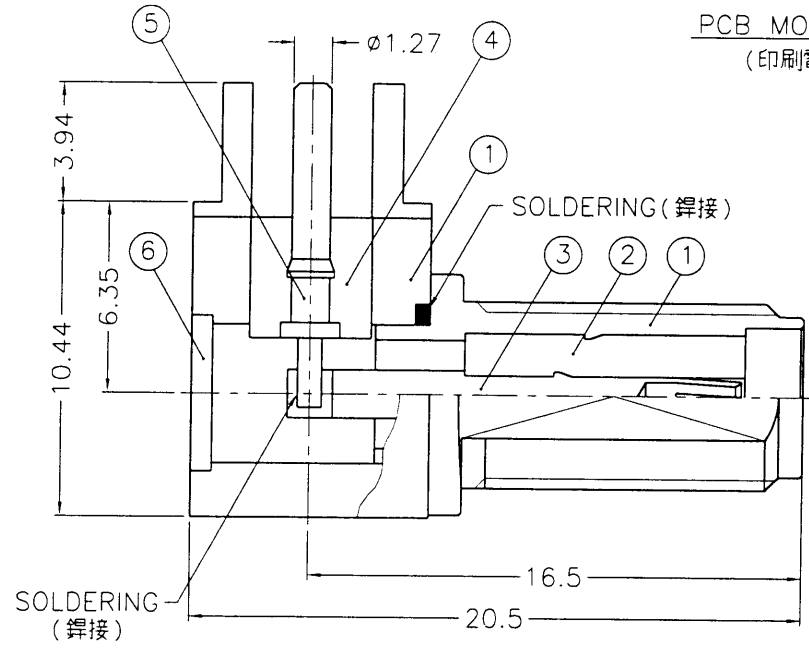
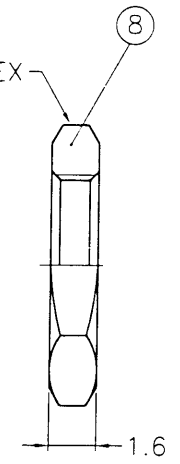
REVISIONS			
ISS	ZONE	DESCRIPTION	PER REQUEST DATE



RECOMMENDED MOUNTING HOLE (建議架設孔)



PCB MOUNTING HOLES (印刷電路板架設孔)



- NOTES: FINISH (PLATING THICKNESS IN MICRO-INCHES)
1. BRASS PER QQ-B-626
 2. BRASS PER QQ-B-613
 3. GOLD PL. 3 MIN. THICK OVER NICKEL PL. 100 MIN. THICK OVER COPPER STRIKE
 4. BERYLLIUM COPPER PER QQ-C-530
 5. GOLD PL. 50 MIN. THICK OVER NICKEL PL. 100 MIN. THICK OVER COPPER STRIKE
 6. TCFLOX MIL-P-19468

NO.	DESCRIPTION	MATERIAL	FINISH	Q'TY	DRAWING NO.
8	HEX NUT	NOTE 1	NOTE 3	1	HN8-1/4-36X16
7	LOCK WASHER	NOTE 2	NOTE 3	1	LW-102/65X05
6	COVER	NOTE 2	NOTE 3	1	CV-523X06-T
5	CONTACT PIN	NOTE 1	NOTE 5	1	132203-5
4	INSULATOR	NOTE 6	NATURAL	1	132203-4
3	CONTACT PIN	NOTE 4	NOTE 5	1	132203-3
2	INSULATOR	NOTE 6	NATURAL	1	132203-2
1	HOUSING WITH BODY	NOTE 1	NOTE 3	1	132203-1

DIMENSIONS ARE IN MILLIMETERS
UNLESS OTHERWISE SPECIFIED TOLERANCES

0.5-6 = ±0.2
6-30 = ±0.4
30-120 = ±0.6
120-315 = ±1
315-1000 = ±1.6
1000-2000 = ±2.4

PART NO

APPROVED: Mark C DATE: 05-31-99

CHECKED: Mark C DATE: 05-31-99

DRAWN: Betty L DATE: 05-31-99

Amphenol - Kai Jack
TAINAN TAIWAN

TITLE: SMA R/A BULKHEAD P.C. MOUNT JACK

DRAWING NO: KJ-SMA6252A9-3GT50G-50

FILE NO: F:\DWG\SMA\6252A9\50\3GT50G

