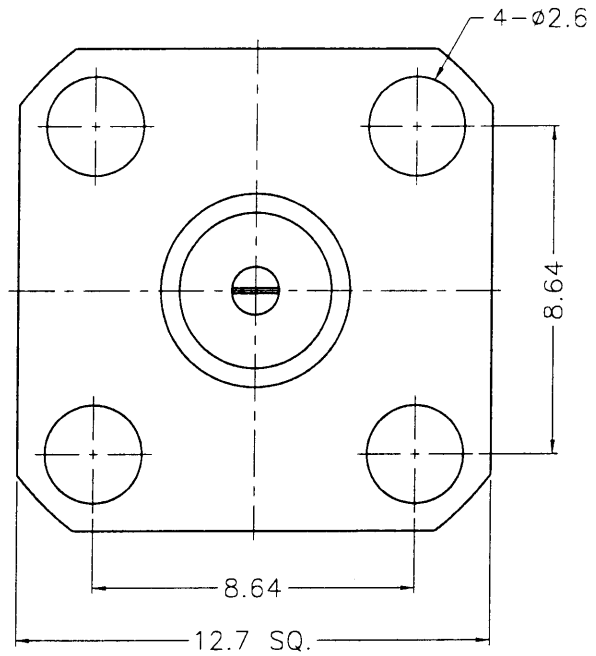
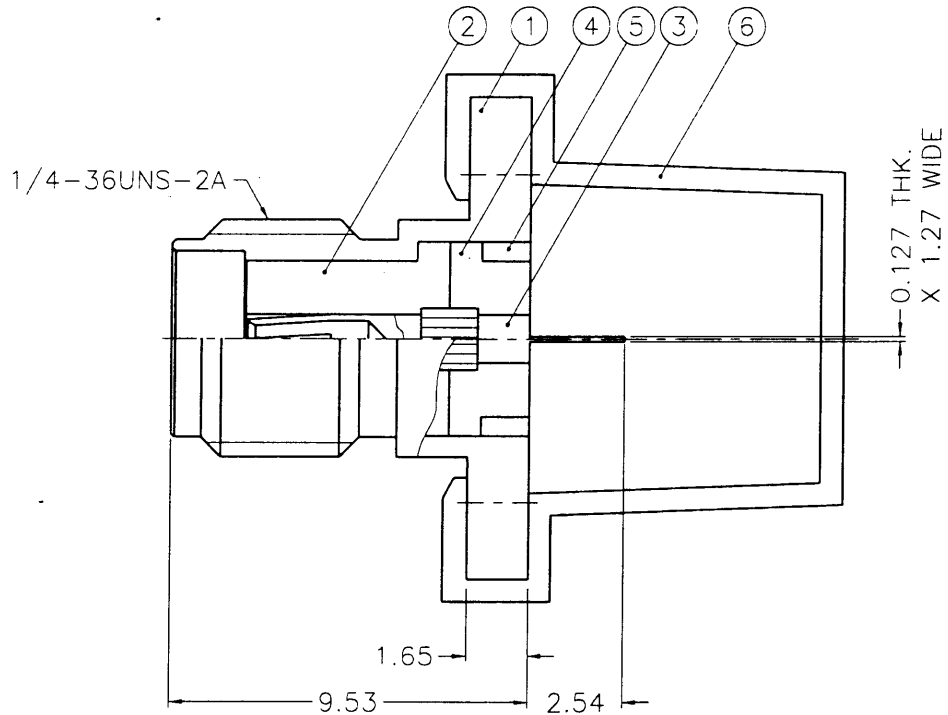


1 2 3 4 5 6 7 8

ISS		ZONE		REVISIONS		
				DESCRIPTION	APPROVED	DATE



NOTES: FINISH (PLATING THICKNESS IN MICRO-INCHES)
 1. BRASS PER QQ-B-626
 2. GOLD PL. 3 MIN. THICK OVER NICKEL PL. 100 MIN. THICK OVER COPPER STRIKE
 3. BERYLLIUM COPPER PER QQ-C-530
 4. GOLD PL. 50 MIN. THICK OVER NICKEL PL. 100 MIN. THICK OVER COPPER STRIKE
 5. TEFLON MIL-P-19468



DIMENSIONS ARE IN MILLIMETERS					PART NO.				
UNLESS OTHERWISE SPECIFIED TOLERANCES					APPROVED	DATE		TITLE	
6	COVER	PE	NATURAL	1	SMA1551M1-9			07-10-98'	SMA PANEL RECEPT. JACK
5	RING	NOTE 1	NOTE 2	1	SMA7530-3-B				
4	INSULATOR	NOTE 5	NATURAL	1	SMA7530-4T-50		07-10-98'	DRAWING NO. KJ-SMA6551M1-3GT50G-50	
3	CONTACT PIN	NOTE 3	NOTE 4	1	SMA6551M1-3				
2	INSULATOR	NOTE 5	NATURAL	1	SMA7530-2T-50 -B		07-10-98'	FILE NO. F:\DWG\SMA\6551M1\50\3GT50G	
1	BODY	NOTE 1	NOTE 2	1	SMA7530-1-B				
NO.	DESCRIPTION	MATERIAL	FINISH	Q'TY	DRAWING NO.	SCALE	5/1	ISSUE	A

85MA-R1267