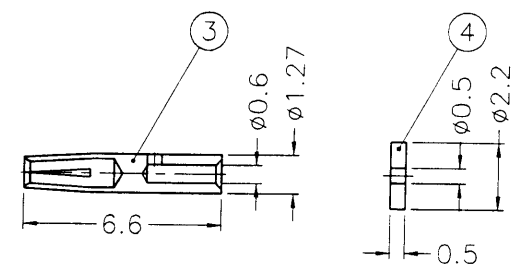
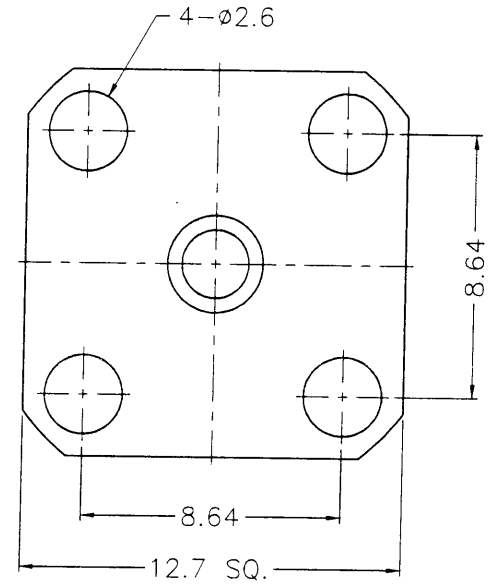
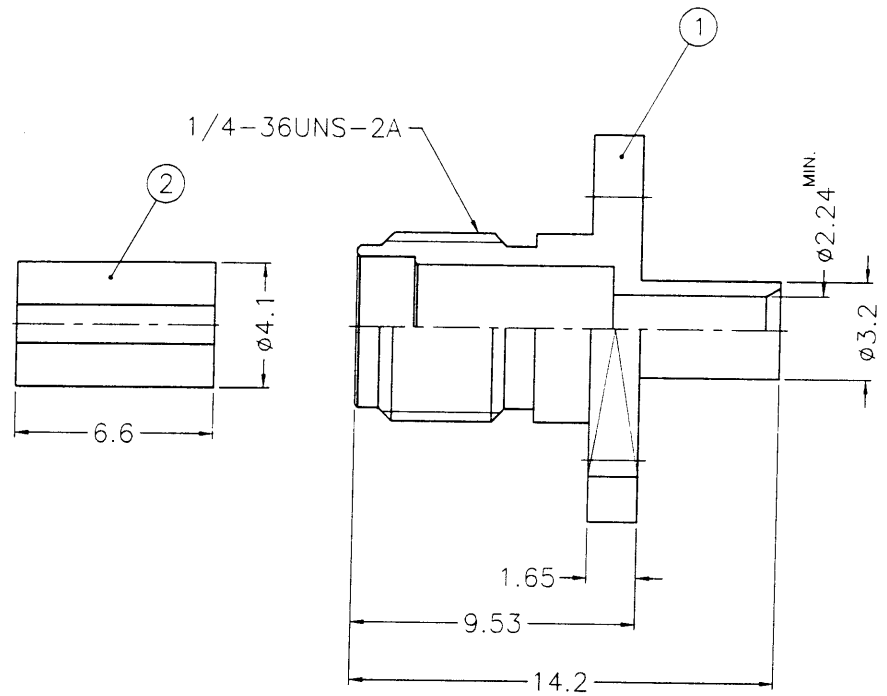
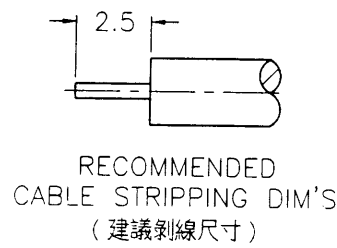


1 2 3 4 5 6 7 8

REVISIONS		
ISS	ZONE	DESCRIPTION\PER REQUEST\DATE
B	A-1	NO.3 WAS CHANGED\RD-DM89103101Y\10-31-00'

業務部



NOTES: FINISH (PLATING THICKNESS IN MICRO-INCHES)
 1. BRASS PER QQ-B-626
 2. GOLD PL. 3 MIN. THICK OVER NICKEL PL. 100 MIN. THICK OVER COPPER STRIKE
 3. BERYLLIUM COPPER PER QQ-C-530
 4. GOLD PL. 50 MIN. THICK OVER NICKEL PL. 100 MIN. THICK OVER COPPER STRIKE
 5. TEFLON MIL-P-19468

2000.11.04

1. CONTACT PIN TO SOLDER

DIMENSIONS ARE IN MILLIMETERS					PART NO.		Amphenol - Kai Jack		
UNLESS OTHERWISE SPECIFIED TOLERANCES					APPROVED		TAINAN TAIWAN		
4	INSULATOR	NOTE 5	NATURAL	1	SMA1181A2-5T-50	DATE	10-26-00'	TITLE	SMA SEMI-RIGID PANEL JACK (FOR .085", .086")
3	CONTACT PIN	NOTE 3	NOTE 4	1	SMA7081-3-127/06-B				
1	INSULATOR	NOTE 5	NATURAL	1	SMA7081-2T-50	DATE	10-26-00'	FILE NO.	F:\DWG\SMA\6581A2\085-50\3GT50G
1	BODY	NOTE 1	NOTE 2	1	SMA7581-1-32/224-C	DATE	10-26-00'		
NO.	DESCRIPTION	MATERIAL	FINISH	Q'TY	DRAWING NO.	SCALE	4/1	ISSUE	B

Jacky Joyce

RD-DR10947