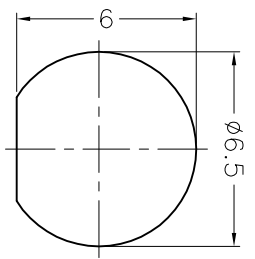
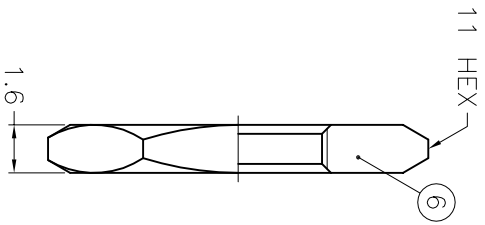
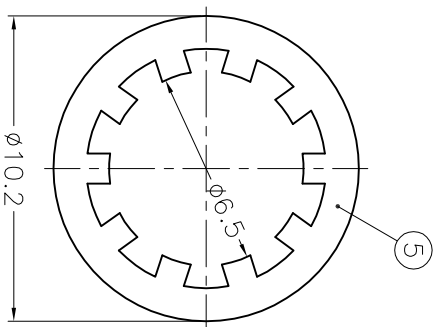
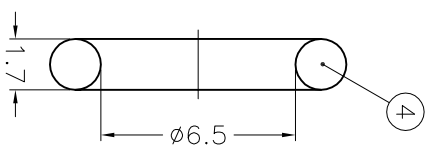
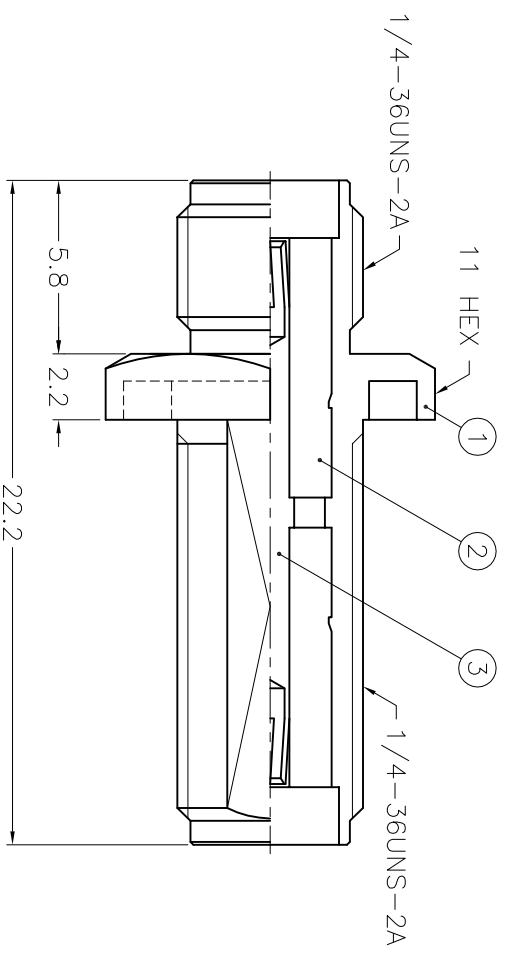


ISS	ZONE	DESCRIPTION\PER REQUEST\DATE

REVISIONS



RECOMMENDED  
MOUNTING HOLE  
(建議割線尺寸)



NOTES: FINISH (PLATING THICKNESS IN MICRO-INCHES)  
 1. BRASS PER QQ-B-626  
 2. BRASS PER QQ-B-613  
 3. GOLD PL. 3 MIN. THICK OVER NICKEL PL. 100 MIN. THICK OVER COPPER STRIKE  
 4. BERYLLIUM COPPER PER QQ-C-530  
 5. GOLD PL. 50 MIN. THICK OVER NICKEL PL. 100 MIN. THICK OVER COPPER STRIKE  
 6. TEFLON MIL-P-19468

1. MAX. PANEL THICKNESS=6mm

6	HEX NUT	NOTE 1	NOTE 3	1	HN11-1/4-36X16
5	LOCK WASHER	NOTE 2	NOTE 3	1	LW-102/65X05
4	GASKET	SILICONE	RED	1	GS-99/65XD17
3	CONTACT PIN	NOTE 4	NOTE 5	1	SMA7910-3
2	INSULATOR	NOTE 6	NATURAL	2	SMA7471B1-2T-50
1	BODY	NOTE 1	NOTE 3	1	SMA7471B1-004-1

DIMENSIONS ARE IN MILLIMETERS  
UNLESS OTHERWISE SPECIFIED  
TOLERANCES  
0.5-6 = ±0.2  
6-30 = ±0.4  
30-120 = ±0.6  
120-315 = ±1  
315-1000 = ±1.6  
1000-2000 = ±2.4

PART NO.		TITLE	
		SMA BULKHEAD FEMALE TO FEMALE ADAPTOR	
APPROVED	DATE		
	05-31-01'		
CHECKED	DATE		
	05-31-01'		
DRAWN	DATE		
	05-31-01'		
DRAWING NO.		FILE NO.	
KJ-SMA7471B1-004-3GT50G-50		F:\DWG\SMA\7471B1\004\50\3GT50G	

# Amphenol - Kai Jack

TAINAN TAIWAN

A

B

C

D

E

F

A

B

C

D

E

F