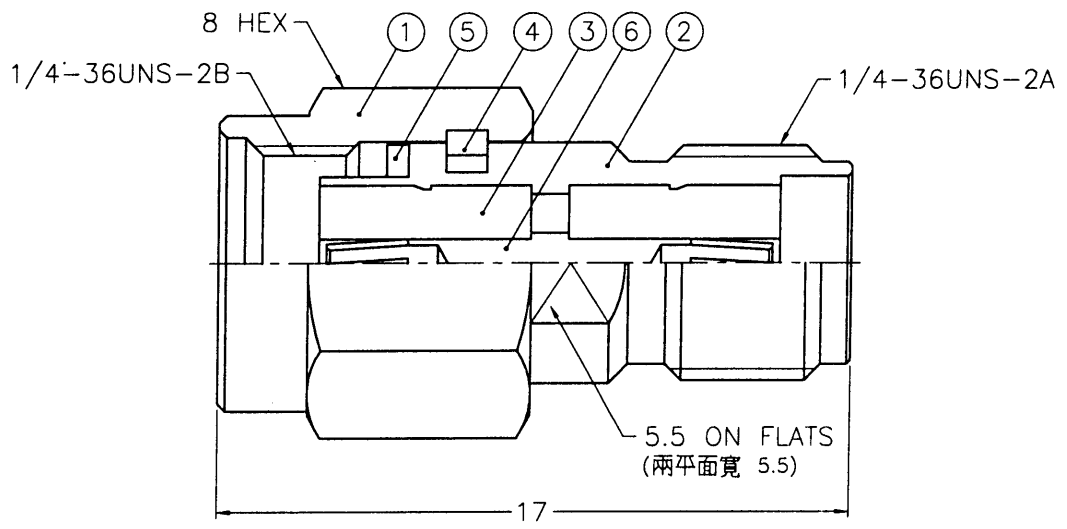


1 2 3 4 5 6 7 8

REVISIONS		
ISS	ZONE	DESCRIPTION\PER REQUEST\DATE

BALUN



ISSUED
2003.12.16
R&D

NOTES: FINISH (PLATING THICKNESS IN MICRO-INCHES)
 1. BRASS PER QQ-B-626
 2. NICKEL PL. 100 MIN. THICK OVER COPPER STRIKE
 3. BERYLLIUM COPPER PER QQ-C-530
 4. GOLD PL. 50 MIN. THICK OVER NICKEL PL. 100 MIN. THICK OVER COPPER STRIKE
 5. TEFLON MIL-P-19468

DIMENSIONS ARE IN MILLIMETERS						PART NO.		Amphenol Danbury,CT,USA-Tainan,Taiwan-Shenzhen,China TITLE SMA FEMALE TO SMA REVERSE POLARITY FEMALE ADAPTOR DRAWING NO. SMAF-RSMAF-NT50G-50 ITEM NO. 11F-61F1-NE-5-F			
UNLESS OTHERWISE SPECIFIED TOLERANCES						APPROVED	DATE				
6	CONTACT PIN	NOTE 3	NOTE 4	1	SMAF-RSMAF-6	<i>Andy C</i> 12-12-03'	DATE 12-12-03'				
5	GASKET	SILICONE	RED	1	GS-6/43X06						
4	RETAINER RING	NOTE 3	NATURAL	1	SMA5000-4-B	<i>Andy C</i> 12-12-03'	DATE 12-12-03'				
3	INSULATOR	NOTE 5	NATURAL	2	SMA5071A1-3T-50						
2	BODY	NOTE 1	NOTE 2	1	SMA5071A1-2-B	<i>Angela W</i> 12-12-03'	DATE 12-12-03'				
1	SHELL	NOTE 1	NOTE 2	1	SMA5000-1-C						
NO.	DESCRIPTION	MATERIAL	FINISH	Q'TY	DRAWING NO.	SCALE	5/1	ISSUE	A1	FILE NO.	F:\DWG\SMF\RSMAF\50\NT50G

1 2 3 4 5 6 7 PD-DR 2005 8