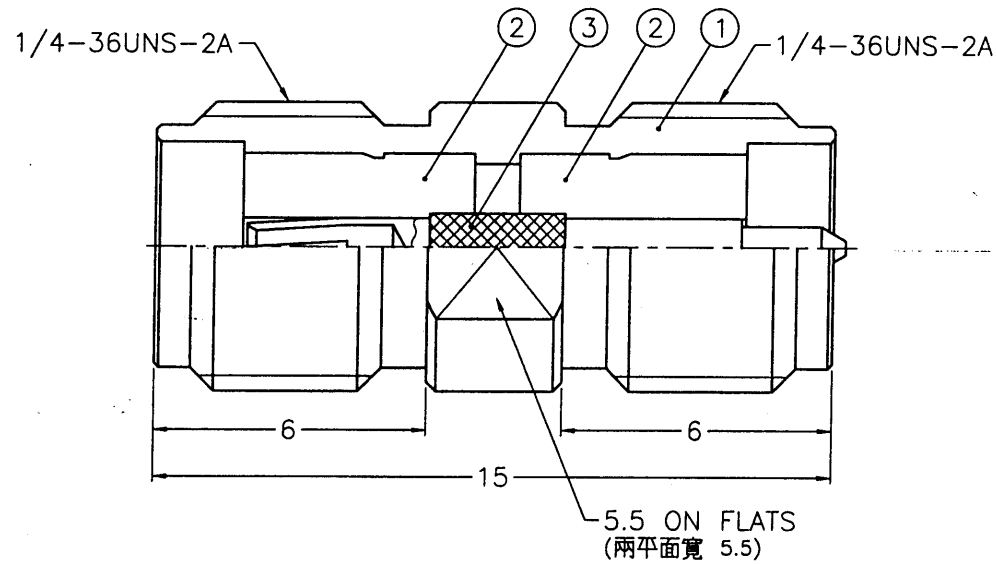


REVISIONS		
ISS	ZONE	DESCRIPTION\PER REQUEST\DATE

SALES



- NOTES: FINISH (PLATING THICKNESS IN MICRO-INCHES)
1. BRASS PER QQ-B-626
 2. GOLD PL. 3 MIN. THICK OVER NICKEL PL. 100 MIN. THICK OVER COPPER STRIKE
 3. BERYLLIUM COPPER PER QQ-C-530
 4. GOLD PL. 50 MIN. THICK OVER NICKEL PL. 100 MIN. THICK OVER COPPER STRIKE
 5. TEFLON MIL-P-19468

ISSUED
2003. 4. 14
R&D

DIMENSIONS ARE IN MILLIMETERS				PART NO.		Amphenol Danbury, CT, USA - Tainan, Taiwan - Shenzhen, China	
UNLESS OTHERWISE SPECIFIED TOLERANCES				APPROVED	DATE		
0.5-6 = ±0.2				<i>Staly</i>	DATE	TITLE	
6-30 = ±0.4					DATE	SMA JACK TO REVERSE POLARITY JACK ADAPTOR	
30-120 = ±0.6				DATE	DRAWING NO.		
120-315 = ±1				DATE	SMAF-RSMAM1-3GT50G-50		
315-1000 = ±1.6				DATE	ITEM NO.		
1000-2000 = ±2.4				DATE	11F-61M1-GA-5-F		
SCALE 6/1		ISSUE A2		FILE NO. F:\DWG\SMAF\RSMAM1\50\3GT50G-A2			

3	CONTACT PIN	NOTE 3	NOTE 4	1	CP11AHU01A
2	INSULATOR	NOTE 5	NATURAL	2	SMA7071A2-2T-50-B
1	BODY	NOTE 1	NOTE 2	1	SMA7071A2-1-C
NO.	DESCRIPTION	MATERIAL	FINISH	Q'TY	DRAWING NO.

72D-DR 179748