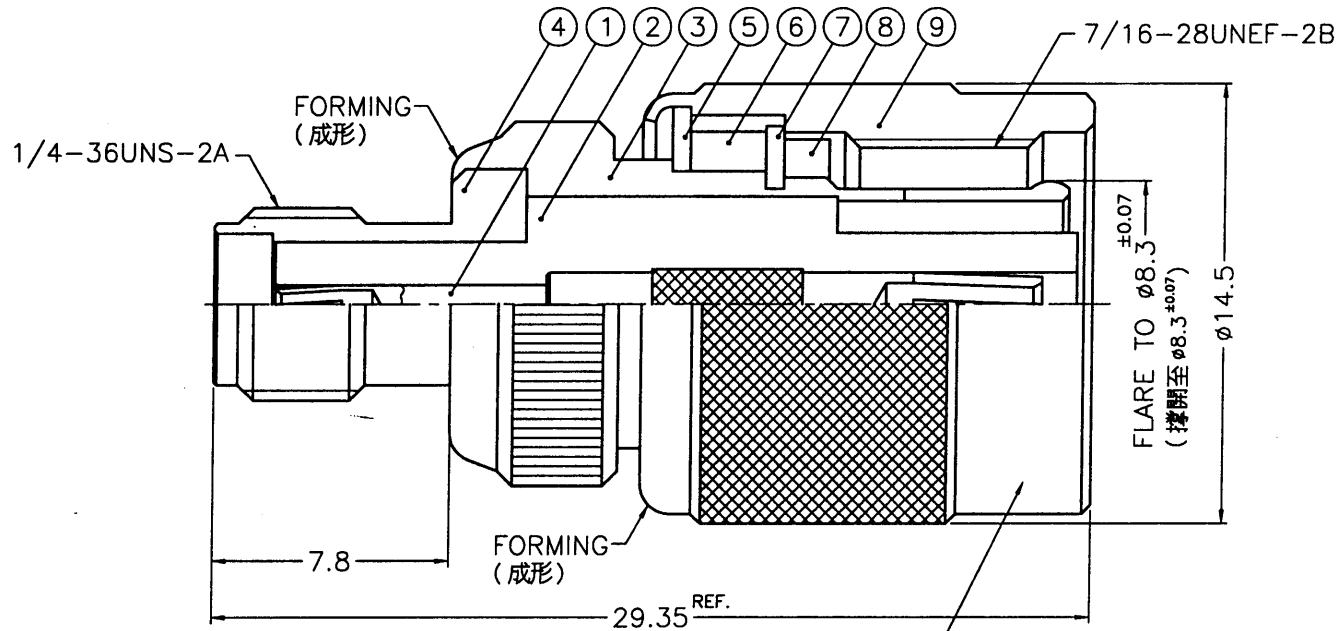


REVISIONS		
ISS	ZONE	DESCRIPTION\PER REQUEST\DATE

SALES



ISSUED
2003.3.25
R&D

- NOTES: FINISH (PLATING THICKNESS IN MICRO-INCHES)
1. BRASS PER QQ-B-626
 2. BRASS PER QQ-B-613
 3. NICKEL PL. 100 MIN. THICK OVER COPPER STRIKE
 4. PHOSPHOR BRONZE PER QQ-B-750
 5. GOLD PL. 3 MIN. THICK OVER NICKEL PL. 100 MIN. THICK OVER COPPER STRIKE
 6. TEFLON MIL-P-19468

STAMP (IF ANY)
噴字 (若有要求)

NO.	DESCRIPTION	MATERIAL	FINISH	Q'TY	DRAWING NO.
9	SHELL			1	T50000-1-B
8	GASKET	RUBBER	RED	1	GS-105/8X15
7	RETAINER RING			1	B50000-5
6	RING	DELRIN	NATURAL	1	T50000-6-A
5	WASHER			.1	WS-128/9X08
4	BODY			1	SMAF-BF1-4
3	BODY			1	SMAF-RTF1-4
2	INSULATOR			1	SMAF-RTF1-3
1	CONTACT PIN			1	SMAF-RTF1-2

DIMENSIONS ARE IN MILLIMETERS		PART NO.
UNLESS OTHERWISE SPECIFIED TOLERANCES		APPROVED <i>[Signature]</i> DATE 03-21-03'
0.5-6 = ±0.2		CHECKED <i>[Signature]</i> DATE 03-21-03'
6-30 = ±0.4		DRAWN <i>[Signature]</i> DATE 03-21-03'
30-120 = ±0.6		
120-315 = ±1		
315-1000 = ±1.6		
1000-2000 = ±2.4		
SCALE 4/1	ISSUE A1	FILE NO. F:\DWG\SMAF\RTF1\50\NT3G

Amphenol	
Danbury, CT, USA - Tainan, Taiwan - Shenzhen, China	
TITLE	SMA JACK TO TNC REVERSE POLARITY PLUG ADAPTOR
DRAWING NO.	SMAF-RTF1-NT3G-50
ITEM NO.	11F-52F1-NA-5-F

A

A