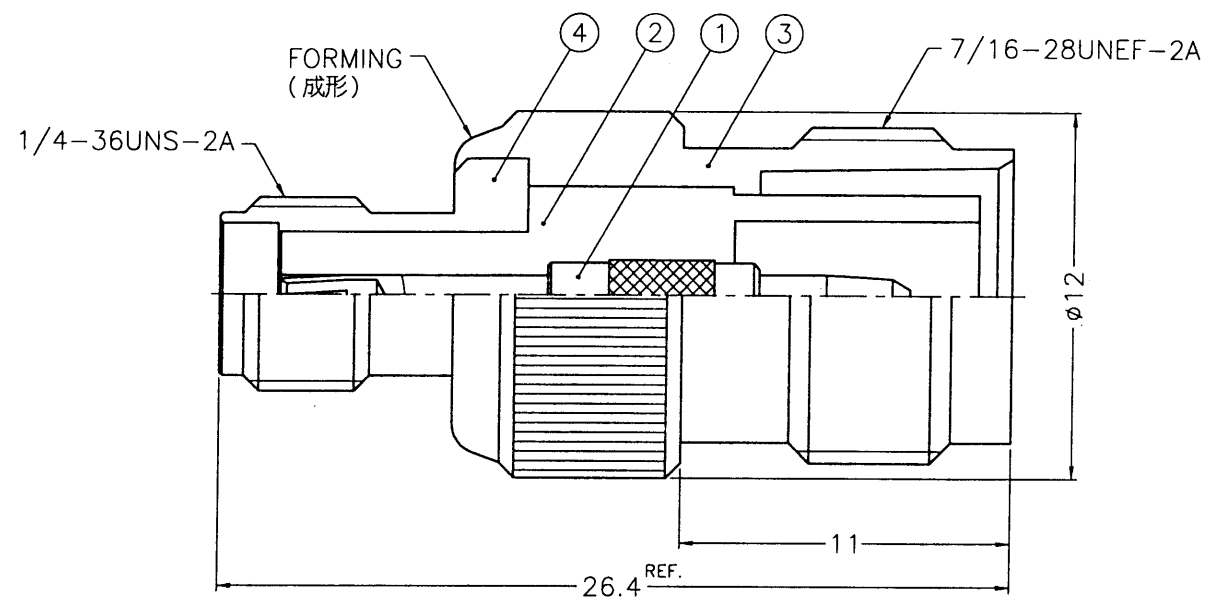


| REVISIONS | | |
|-----------|------|------------------------------|
| ISS | ZONE | DESCRIPTION\PER REQUEST\DATE |
| | | |

SALES



ISSUED
2003. 7. 18
RED

- NOTES: FINISH (PLATING THICKNESS IN MICRO-INCHES)
1. BRASS PER QQ-B-626
 2. NICKEL PL. 100 MIN. THICK OVER COPPER STRIKE
 3. PHOSPHOR BRONZE PER QQ-B-750
 4. GOLD PL. 3 MIN. THICK OVER NICKEL PL. 100 MIN. THICK OVER COPPER STRIKE
 5. TEFLON MIL-P-19468

| DIMENSIONS ARE IN MILLIMETERS | | | | PART NO. | |
|---------------------------------------|--------|-----------|--------|----------------|-------------------------|
| UNLESS OTHERWISE SPECIFIED TOLERANCES | | | | APPROVED | DATE |
| 0.5-6 | = ±0.2 | 6-30 | = ±0.4 | <i>Andy.C</i> | 07-17-03' |
| 30-120 | = ±0.6 | 120-315 | = ±1 | <i>Andy.C</i> | 07-17-03' |
| 315-1000 | = ±1.6 | 1000-2000 | = ±2.4 | <i>Joyce.Y</i> | 07-17-03' |
| SCALE | 4/1 | ISSUE | A1 | FILE NO. | F:\DWG\SMF\RTM1\50\NT3G |

| | |
|---|---|
| Amphenol | |
| Danbury,CT,USA-Tainan,Taiwan-Shenzhen,China | |
| TITLE | SMA JACK TO TNC REVERSE POLARITY JACK ADAPTOR |
| DRAWING NO. | SMAF-RTM1-NT3G-50 |
| ITEM NO. | 11F-52M1-NA-5-F |

| NO. | DESCRIPTION | MATERIAL | FINISH | Q'TY | DRAWING NO. |
|-----|-------------|----------|---------|------|-------------|
| 4 | BODY | NOTE 1 | NOTE 2 | 1 | SMAF-BF1-4 |
| 3 | BODY | NOTE 1 | NOTE 2 | 1 | BD02ACL01A |
| 2 | INSULATOR | NOTE 5 | NATURAL | 1 | NS00AYB01A |
| 1 | CONTACT PIN | NOTE 3 | NOTE 4 | 1 | CP00ALC01A |