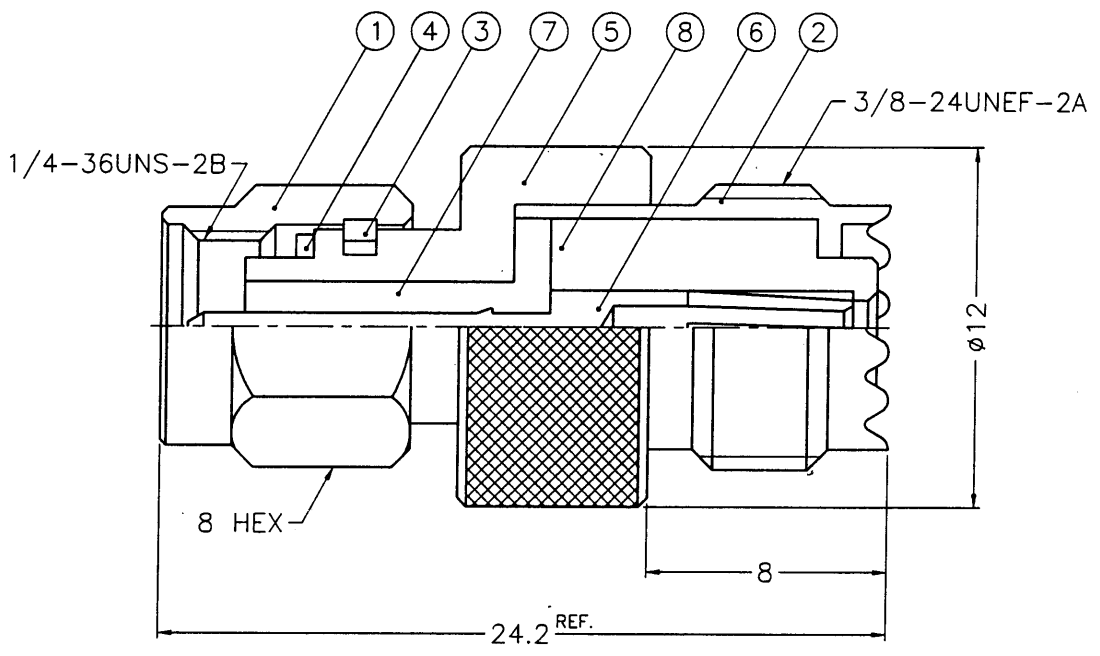


1 2 3 4 5 6 7 8

REVISIONS		
ISS	ZONE	DESCRIPTION\PER REQUEST\DATE
A	A-7	SMAM-MUF-NT3G-50 WAS RSA-3450\CN-BS-9800\ 12-28-98'
B	A-1	NO.6 WAS CHANGED\RD-DM89061301Y\06-13-00'
	A-1	NO.1 WAS CHANGED\RD-DM89042001C\04-20-00'

業務部



NOTES: FINISH (PLATING THICKNESS IN MICRO-INCHES)
 1. BRASS PER QQ-B-626
 2. NICKEL PL. 100 MIN. THICK OVER COPPER STRIKE
 3. PHOSPHOR BRONZE PER QQ-B-750
 4. BERYLLIUM COPPER PER QQ-C-530
 5. GOLD PL. 3 MIN. THICK OVER NICKEL PL. 100 MIN. THICK OVER COPPER STRIKE
 6. TEFLON MIL-P-19468

出圖
89.6.19

NO.	DESCRIPTION	MATERIAL	FINISH	Q'TY	DRAWING NO.	SCALE	4/1	ISSUE	B	PART NO.	TITLE
8	INSULATOR		NATURAL	1	RSA-3450-8	DIMENSIONS ARE IN MILLIMETERS UNLESS OTHERWISE SPECIFIED TOLERANCES 0.5-6 = ±0.2 6-30 = ±0.4 30-120 = ±0.6 120-315 = ±1 315-1000 = ±1.6 1000-2000 = ±2.4				APPROVED <i>Andy C</i> DATE 06-16-00' CHECKED <i>Andy C</i> DATE 06-16-00' DRAWN <i>Joyce Y</i> DATE 06-16-00'	Amphenol - Kai Jack TAINAN TAIWAN SMA MALE TO MINI UHF FEMALE ADAPTOR DRAWING NO. KJ-SMAM-MUF-NT3G-50 FILE NO. F:\DWG\SMAM\MUF\50\NT3G
7	INSULATOR		NATURAL	1	RSA-3456-5						
6	CONTACT PIN		NOTE 5	1	RSA-3450-6-B						
5	HOUSING		NOTE 2	1	RSA-3450-5						
4	GASKET	SILICONE	RED	1	GS-6/43X06						
3	RETAINER RING		NATURAL	1	SMA5000-4-B						
2	BODY		NOTE 2	1	RSA-3450-2						
1	SHELL		NOTE 2	1	SMA5000-1-C						

1 2 3 4 5 6 7 8 24>116 BRD-DR1812