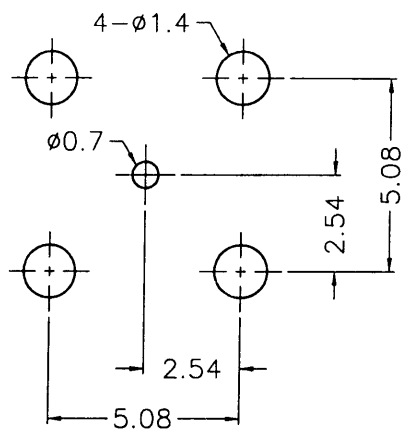


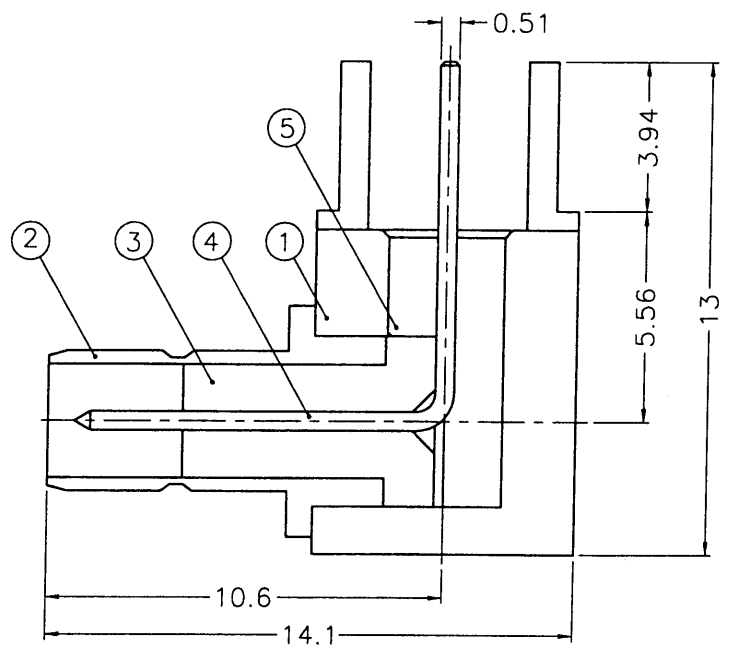
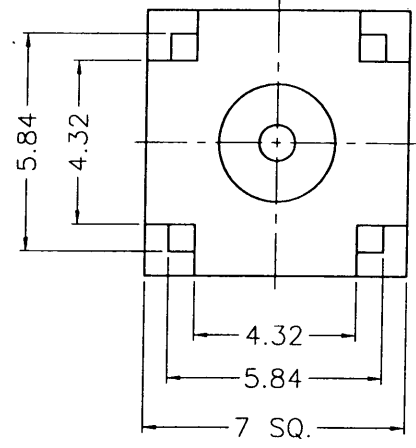
1 2 3 4 5 6 7 8

REVISIONS			
ISS	ZONE	DESCRIPTION	PER REQUEST DATE
B	A-1	NO.2 WAS CHANGED	RD-DM92090201L\09-02-03'

SALES



PCB MOUNTING HOLE
(印刷电路板架設孔)



- NOTES: FINISH (PLATING THICKNESS IN MICRO-INCHES)
- BRASS PER QQ-B-626
 - NICKEL PL. 100 MIN. THICK OVER COPPER STRIKE
 - GOLD PL. 30 MIN. THICK OVER NICKEL PL. 100 MIN. THICK OVER COPPER STRIKE
 - TEFLON MIL-P-19468

ISSUED
MAR 9. 09
R&D

					DIMENSIONS ARE IN MILLIMETERS			PART NO.		Amphenol Danbury,CT,USA-Tainan,Taiwan-Shenzhen,China	
					UNLESS OTHERWISE SPECIFIED TOLERANCES			APPROVED	DATE		
5	INSULATOR	NOTE 4	NATURAL	1	SMB1252M1-5T-75	0.5-6 = ±0.2				09-02-03'	MINI 75 OHM SMB R/A P.C.B. JACK
4	CONTACT PIN	NOTE 1	NOTE 3	1	SMB1252M1-4	6-30 = ±0.4				09-02-03'	DRAWING NO. SMB1252M1-NT30G-75
3	INSULATOR	NOTE 4	NATURAL	1	SMB1252M1-3T-75	30-120 = ±0.6				09-02-03'	ITEM NO. 121252AAC02NC7F
2	BODY	NOTE 1	NOTE 2	1	SMB7790-2-B	120-315 = ±1				09-02-03'	
1	HOUSING	NOTE 1	NOTE 2	1	SMB1252M1-1	315-1000 = ±1.6				09-02-03'	
NO.	DESCRIPTION	MATERIAL	FINISH	Q'TY	DRAWING NO.	SCALE	5/1	ISSUE	B	FILE NO.	F:\DWG\SMB\1252M1\75\NT30G-B.

7RDDR 1928

F
E
D
C
B
A

F
E
D
C
B
A