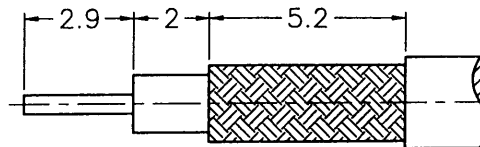
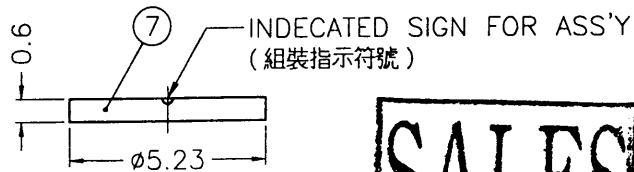
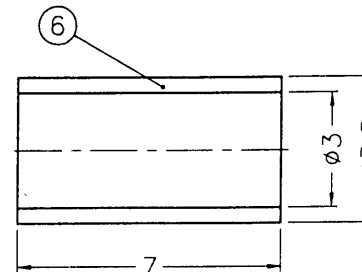
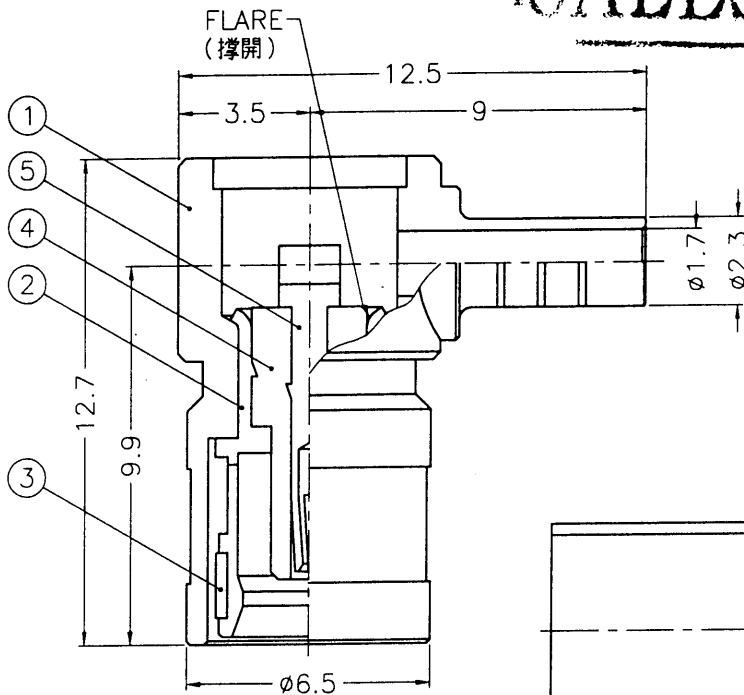


REVISIONS		
ISS	ZONE	DESCRIPTION\PER REQUEST\DATE
B	A-1	NO.5 WAS CHANGED\RD-DM88090201B\09-02-99'
C	A-1	NO.2 WAS CHANGED\RD-DM89062302C\06-23-00'
C1	A-1	NO.4 WAS CHANGED\N/A\07-17-01'
D	B-1	NO.7 WAS CHANGED\RD-DM91041101K\03-25-04'
	A-1	NO.2 WAS CHANGED\RD-DM93032501L\03-25-04'



RECOMMENDED  
CABLE STRIPPING DIM'S  
(建議剝線尺寸)

**SALES**



NOTES: FINISH (PLATING THICKNESS IN MICRO-INCHES)

1. BRASS PER QQ-B-626
2. BRASS PER QQ-B-613
3. GOLD PL. 3 MIN. THICK OVER NICKEL PL. 100 MIN. THICK OVER COPPER STRIKE
4. BERYLLIUM COPPER PER QQ-C-530
5. GOLD PL. 30 MIN. THICK OVER NICKEL PL. 100 MIN. THICK OVER COPPER STRIKE
6. TEFLON MIL-P-19468
7. ZINC DIECAST

1. CRIMPED FERRULE  
HEX CRIMP SIZE .128"
2. CONTACT PIN TO SOLDER

ISSUED  
2004. 3. 30  
R&D

8	HEAT SHRINK TUBING			1	HT-56/5X193
7	COVER	NOTE 2	NOTE 3	1	CV-523X06-T-B
6	FERRULE	COPPER	NOTE 3	1	FR-38/3X7C
5	CONTACT PIN	NOTE 4	NOTE 5	1	SMB5091-5-B
4	INSULATOR	NOTE 6	NATURAL	1	SMB5003-3T-50
3	RETAINER RING	NOTE 4	NATURAL	1	SMB5000-6
2	BODY	NOTE 1	NOTE 3	1	SMB6112D1-2-D
1	HOUSING	NOTE 7	NOTE 3	1	SMB6112D1-1-23/17

DIMENSIONS ARE IN MILLIMETERS				PART NO.	
UNLESS OTHERWISE SPECIFIED TOLERANCES				APPROVED	DATE
0.5-6	= ±0.2			<i>Shaly.w</i>	03-25-04'
6-30	= ±0.4				
30-120	= ±0.6			CHECKED	DATE
120-315	= ±1			<i>Shaly.w</i>	03-25-04'
315-1000	= ±1.6			DRAWN	DATE
1000-2000	= ±2.4			<i>Jose</i>	03-25-04'
NO.	DESCRIPTION	MATERIAL	FINISH	Q'TY	DRAWING NO.

<b>Amphenol</b>	
Danbury, CT, USA - Tainan, Taiwan - Shenzhen, China	
TITLE	SMB R/A CRIMP PLUG (FOR RG-174/U, 188A/U, 316/U)
DRAWING NO.	SMB6112D1-3GT30G-316U-50
ITEM NO.	126112AAC36GE5F

RD-DR 20881