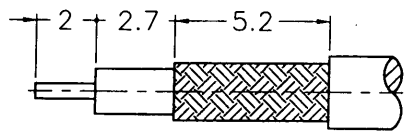
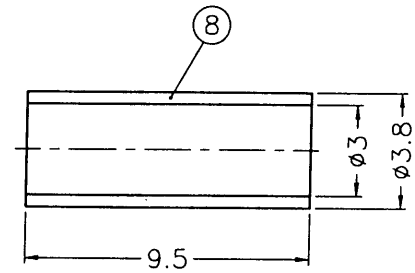
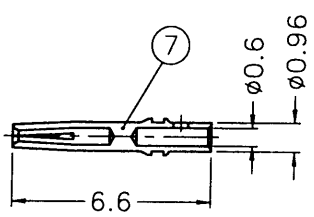
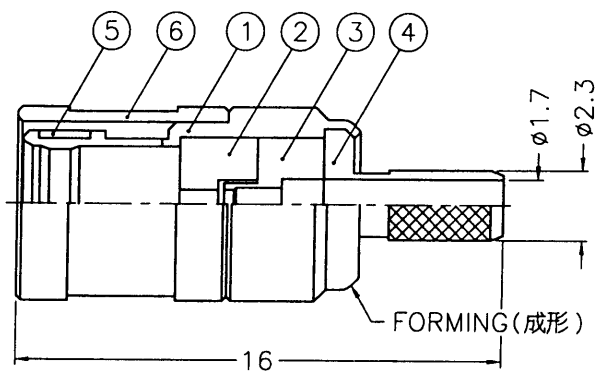


REVISIONS		
ISS	ZONE	DESCRIPTION\PER REQUEST\DATE

**SALES**

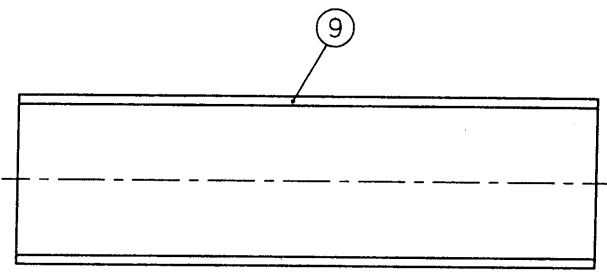


RECOMMENDED  
CABLE STRIPPING DIM'S  
(建議剝線尺寸)



ISSUED  
2003.6.24  
R&D

- NOTES: FINISH (PLATING THICKNESS IN MICRO-INCHES)
- BRASS PER QQ-B-626
  - NICKEL PL. 100 MIN. THICK OVER COPPER STRIKE
  - BERYLLIUM COPPER PER QQ-C-530
  - GOLD PL. 30 MIN. THICK OVER NICKEL PL. 100 MIN. THICK OVER COPPER STRIKE
  - TEFLON MIL-P-19468



- CRIMPED FERRULE  
HEX CRIMP SIZE .128"
- CONTACT PIN TO SOLDER

9	HEAT SHRINK TUBING			1	HT-56/5X193
8	FERRULE	COPPER	NOTE 2	1	FR-38/3X95C
7	CONTACT PIN	NOTE 3	NOTE 4	1	SMB6121B2-5-096/06-D
6	SHELL	NOTE 1	NOTE 2	1	SMB5000-1
5	RETAINER RING	NOTE 3	NATURAL	1	SMB5000-6
4	BARREL	NOTE 1	NOTE 2	1	SMB6121A1-4-23/17-C
3	INSULATOR	NOTE 5	NATURAL	1	SMB1121AA-3T-75
2	INSULATOR	NOTE 5	NATURAL	1	SMB6121AA-2T-75
1	BODY	NOTE 1	NOTE 2	1	SMB6121AA-1-75

DIMENSIONS ARE IN MILLIMETERS				PART NO.	
UNLESS OTHERWISE SPECIFIED TOLERANCES				APPROVED	DATE
0.5-6	= ±0.2			<i>Lead. W</i>	06-24-03'
6-30	= ±0.4			CHECKED	DATE
30-120	= ±0.6			<i>Lead. W</i>	06-24-03'
120-315	= ±1			DRAWN	DATE
315-1000	= ±1.6			<i>jojo</i>	06-24-03'
1000-2000	= ±2.4			FILE NO.	F:\DWG\SMB\6121AA\012\75\NT30G

**Amphenol**  
Danbury, CT, USA - Tainan, Taiwan - Shenzhen, China

TITLE: MINI 75 OHM SMB CRIMP PLUG (FOR RG-174/U, 188A/U, 316/U)

DRAWING NO. SMB6121AA-012-NT30G-75

ITEM NO. 126121AAC36NC7F