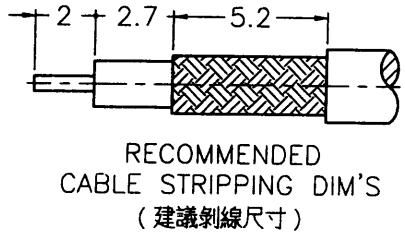
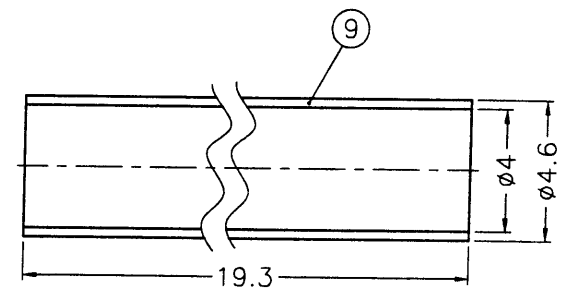
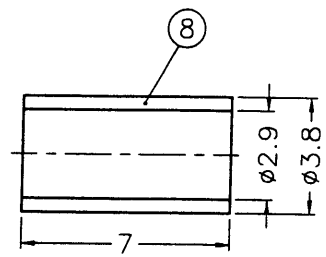
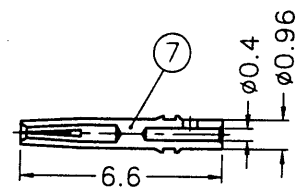
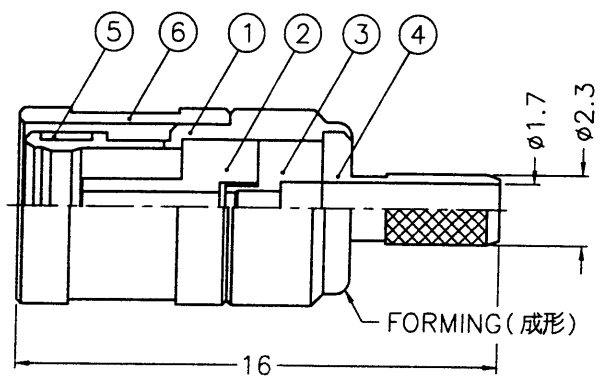


1 2 3 4 5 6 7 8

REVISIONS		
ISS	ZONE	DESCRIPTION\PER REQUEST\DATE



SALES



- NOTES: FINISH (PLATING THICKNESS IN MICRO-INCHES)
- BRASS PER QQ-B-626
 - GOLD PL. 3 MIN. THICK OVER NICKEL PL. 100 MIN. THICK OVER COPPER STRIKE
 - BERYLLIUM COPPER PER QQ-C-530
 - GOLD PL. 30 MIN. THICK OVER NICKEL PL. 100 MIN. THICK OVER COPPER STRIKE
 - TEFLON MIL-P-19468

ISSUED
2001. 12. 06
R&D

- CRIMPED FERRULE HEX. CRIMP SIZE .128"
- CONTACT PIN TO SOLDER

9	HEAT SHRINK TUBING		BLACK	1	HT-46/4X193
8	FERRULE	COPPER	NOTE 2	1	FR-38/29X7C
7	CONTACT PIN	NOTE 3	NOTE 4	1	SMB6121B2-5-096/04-D
6	SHELL	NOTE 1	NOTE 2	1	SMB5000-1
5	RETAINER RING	NOTE 3	NATURAL	1	SMB5000-6
4	BARREL	NOTE 1	NOTE 2	1	SMB6121A1-4-23/17-C
3	INSULATOR	NOTE 5	NATURAL	1	SMB1121AA-3T-75
2	INSULATOR	NOTE 5	NATURAL	1	NS12ABF01A
1	BODY	NOTE 1	NOTE 2	1	SMB6121AA-1-75

DIMENSIONS ARE IN MILLIMETERS		PART NO.	
UNLESS OTHERWISE SPECIFIED TOLERANCES		APPROVED	DATE
0.5-6 = ±0.2		<i>Mark C</i>	12-03-01'
6-30 = ±0.4		CHECKED	DATE
30-120 = ±0.6		<i>gacky</i>	12-03-01'
120-315 = ±1		DRAWN	DATE
315-1000 = ±1.6		<i>ken</i>	12-03-01'
1000-2000 = ±2.4			

Amphenol - Kai Jack
TAINAN TAIWAN

TITLE MINI 75 OHM SMB CRIMP PLUG (FOR RG-179/U,187A/U)

DRAWING NO. KJ-SMB6121AA-3GT30G-179U-75T

ITEM NO. 126111AAC19GE0F

1 2 3 4 5 6 7 8

RDBDR13338