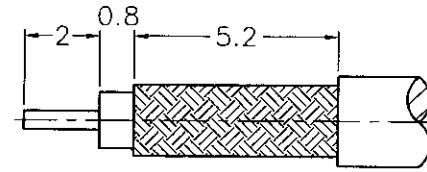
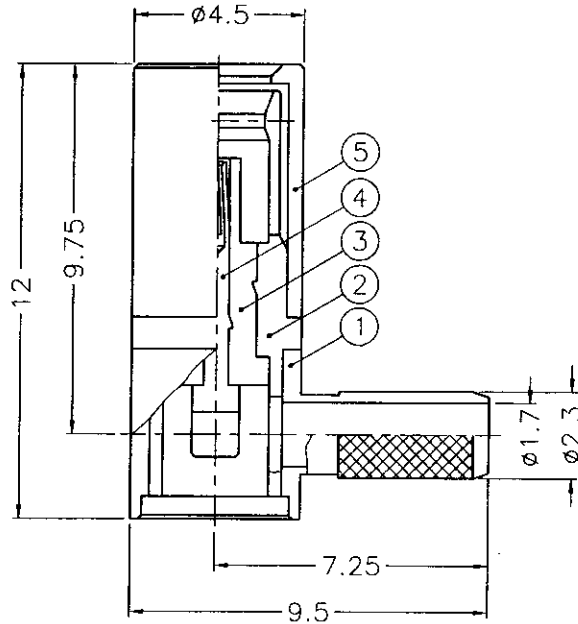


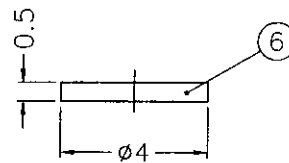
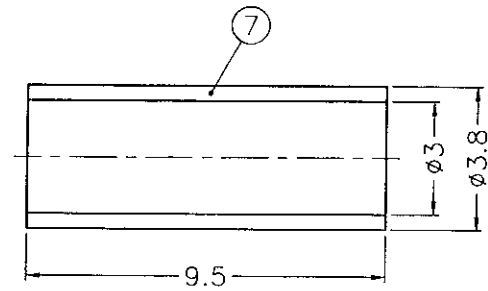
1 2 3 4 5 6 7 8

REVISIONS		
ISS	ZONE	DESCRIPTION\PER REQUEST\DATE

業務部



RECOMMENDED  
CABLE STRIPPING DIM'S  
(建議剝線尺寸)



NOTES: FINISH (PLATING THICKNESS IN MICRO-INCHES)

1. BRASS PER QQ-B-626
2. BRASS PER QQ-B-613
3. BERYLLIUM COPPER PER QQ-C-530
4. NICKEL PL. 100 MIN. THICK OVER COPPER STRIKE
5. GOLD PL. 3 MIN. THICK OVER NICKEL PL. 100 MIN. THICK OVER COPPER STRIKE
6. GOLD PL. 30 MIN. THICK OVER NICKEL PL. 100 MIN. THICK OVER COPPER STRIKE
7. TEFLON MIL-P-19468



1. CRIMPED FERRULE  
HEX CRIMP SIZE .128"
2. CONTACT PIN TO SOLDER

NO.	DESCRIPTION	MATERIAL	FINISH	Q'TY	DRAWING NO.	SCALE	5/1	ISSUE	A	PART NO.	TITLE
7	FERRULE	COPPER	NOTE 4	1	FR-38/3X95C	DIMENSIONS ARE IN MILLIMETERS					<b>Amphenol - Kai Jack</b> TAINAN TAIWAN TITLE SSMB R/A CRIMP PLUG (FOR RG-174/U,188A/U,316/U) DRAWING NO. KJ-SSMB6112A1-N/3GT30G-316U-50 FILE NO. F:\DWG\SSMB\6112A1\316U-50\N3GT30G
6	COVER	NOTE 2	NOTE 4	1	CV-4X05-T	UNLESS OTHERWISE SPECIFIED TOLERANCES				APPROVED	
5	SHELL	NOTE 1	NOTE 4	1	SSMB-SHELL-1	0.5-6 = ±0.2	6-30 = ±0.4	30-120 = ±0.6	120-315 = ±1	DATE	
4	CONTACT PIN	NOTE 3	NOTE 6	1	SSMB6112A1-4	315-1000 = ±1.6	1000-2000 = ±2.4			01-30-01'	
3	INSULATOR	NOTE 7	NATURAL	1	SSMB6112A1-3					DATE	
2	BODY	NOTE 3	NOTE 5	1	SSMB6112A1-2					01-30-01'	
1	HOUSING	NOTE 1	NOTE 4	1	SSMB1112A1-1 -23/17					01-30-01'	

RD8DR11466