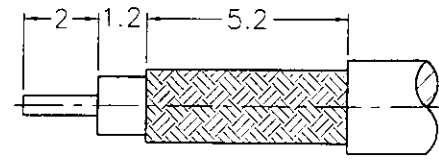
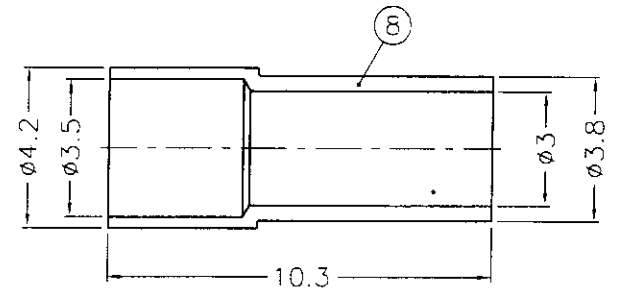
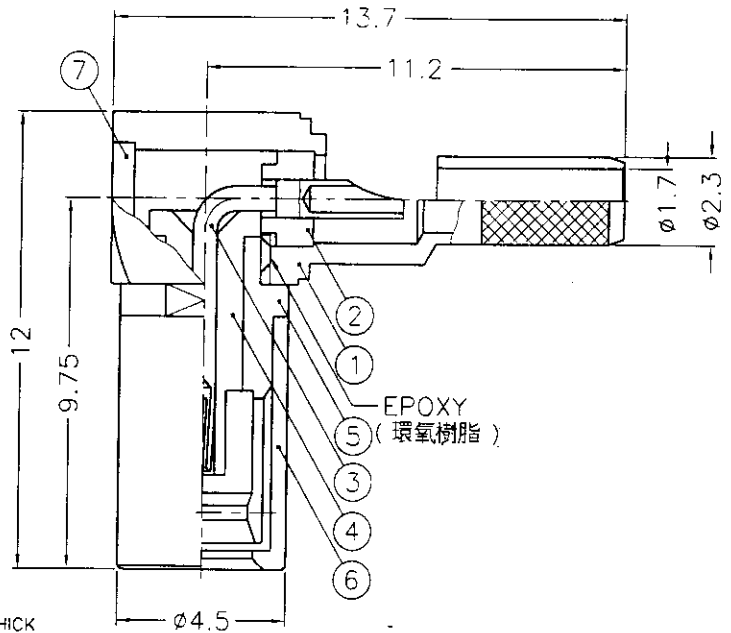


REVISIONS		
ISS	ZONE	DESCRIPTION\PER REQUEST\DATE



RECOMMENDED
CABLE STRIPPING DIM'S
(建議剝線尺寸)



- NOTES: FINISH (PLATING THICKNESS IN MICRO-INCHES)
1. BRASS PER QQ-B-626
 2. BRASS PER QQ-B-613
 3. BERYLLIUM COPPER PER QQ-C-530
 4. GOLD PL. 3 MIN. THICK OVER NICKEL PL. 100 MIN. THICK OVER COPPER STRIKE
 5. GOLD PL. 30 MIN. THICK OVER NICKEL PL. 100 MIN. THICK OVER COPPER STRIKE
 6. TEFLON MIL-P-19468
 7. JIS H 3260, C 3501



8	FERRULE	NOTE 7	NOTE 4	1	FR-42/35-38/3 X103
7	COVER	NOTE 2	NOTE 4	1	CV-29X05-T
6	SHELL	NOTE 1	NOTE 4	1	SSMB-SHELL-1
5	BODY	NOTE 3	NOTE 4	1	SSMB6112A2-5
4	INSULATOR	NOTE 6	NATURAL	1	SSMB6112A2-4
3	CONTACT PIN	NOTE 3	NOTE 5	1	SSMB6112A2-3
2	INSULATOR	NOTE 6	NATURAL	1	SSMB6112A2-2
1	HOUSING	NOTE 1	NOTE 4	1	SSMB6112A2-1 -23/17
NC.	DESCRIPTION	MATERIAL	FINISH	CITY	DRAWING NO.

DIMENSIONS ARE IN MILLIMETERS
UNLESS OTHERWISE SPECIFIED TOLERANCES

0.5-6 = ±0.2
6-30 = ±0.4
30-120 = ±0.6
120-315 = ±1
315-1000 = ±1.6
1000-2000 = ±2.4

PART NO	
APPROVED	DATE
CHECKED	DATE
DRAWN	DATE

KAI JACK INDUSTRIAL CO., LTD. TAINAN TAIWAN, R.O.C.	
TITLE	SSMB R/A CRIMP PLUG (FOR RG-174/U,188A/U,316/U)
DRAWING NO.	KJ-SSMB6112A2-3GT30G-316U-50
FILE NO.	F:\DWG\SSMB\6112A2\316U-50\3GT30G

A. W. C.
Coase
COASE

DATE 06-15-99
DATE 06-15-99
DATE 06-15-99