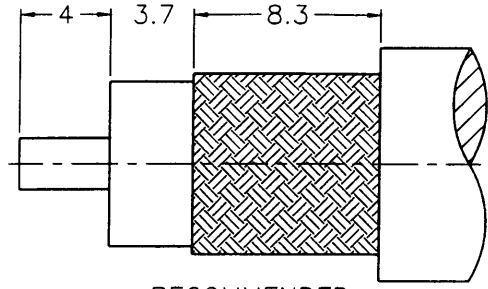
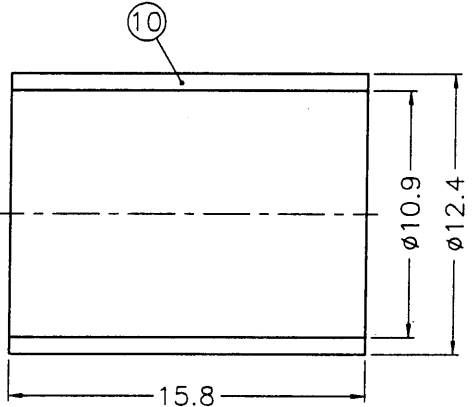
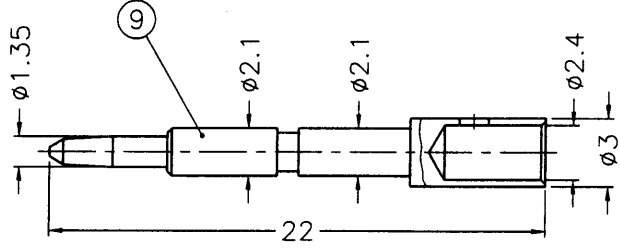
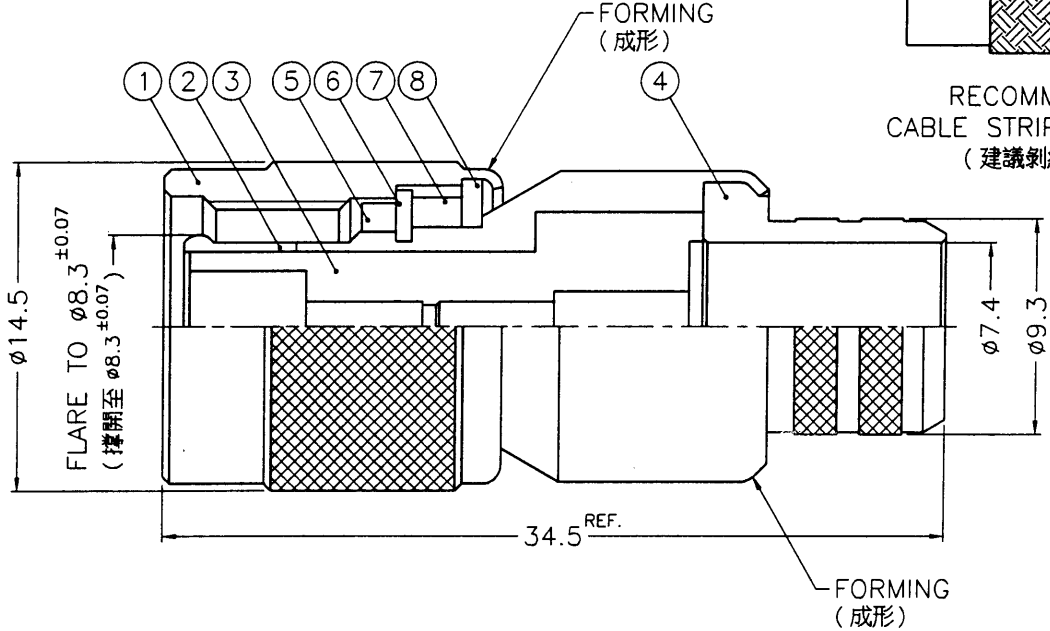


REVISIONS		
ISS	ZONE	DESCRIPTION\PER REQUEST\DATE

業務部



RECOMMENDED  
CABLE STRIPPING DIM'S  
(建議剝線尺寸)



- NOTES: FINISH (PLATING THICKNESS IN MICRO-INCHES)
1. BRASS PER QQ-B-626
  2. BRASS PER QQ-B-613
  3. NICKEL PL. 100 MIN. THICK OVER COPPER STRIKE
  4. GOLD PL. 3 MIN. THICK OVER NICKEL PL. 100 MIN. THICK OVER COPPER STRIKE
  5. TEFLON MIL-P-19468
  6. JIS H 3250, C 2700

1. CRIMPED FERRULE  
HEX CRIMP SIZE .429"
2. CRIMPED CONTACT PIN  
HEX CRIMP SIZE .100"

NO.	DESCRIPTION	MATERIAL	FINISH	Q'TY	DRAWING NO.
10	FERRULE			1	FR-124/109X158
9	CONTACT PIN			1	B5201-13-3/24
8	WASHER			1	WS-128/9X08
7	RING	DELTRIN	NATURAL	1	T50000-6-A
6	RETAINER RING			1	B50000-5
5	GASKET	RUBBER	RED	1	GS-105/8X15
4	BARREL			1	N5000-3-93/74
3	INSULATOR			1	B5201-3T-50
2	BODY			1	B1121A6-2
1	SHELL			1	T50000-1-B

DIMENSIONS ARE IN MILLIMETERS  
UNLESS OTHERWISE SPECIFIED TOLERANCES

0.5-6 = ±0.2  
6-30 = ±0.4  
30-120 = ±0.6  
120-315 = ±1  
315-1000 = ±1.6  
1000-2000 = ±2.4

PART NO.	
APPROVED	DATE 08-18-00'
CHECKED	DATE 08-18-00'
DRAWN	DATE 80-18-00'

Amphenol - Kai Jack	
TAINAN TAIWAN	
TITLE	TNC CRIMP PLUG (FOR BELDEN 8/U, 213U)
DRAWING NO.	KJ-T1121A6-NT3G-213U-50
FILE NO.	F:\DWG\T\1121A6\213U-50\NT3G

F  
E  
D  
C  
B  
A

F  
E  
D  
C  
B  
A