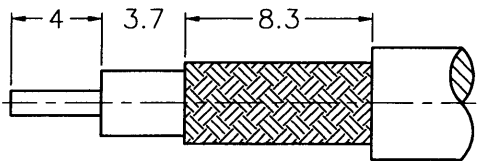
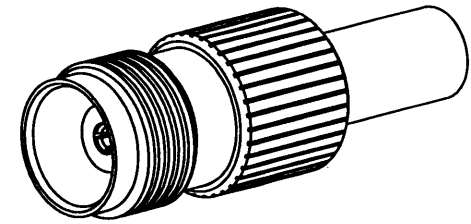


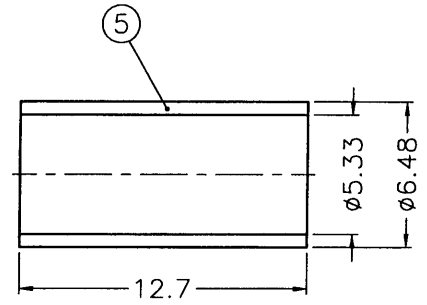
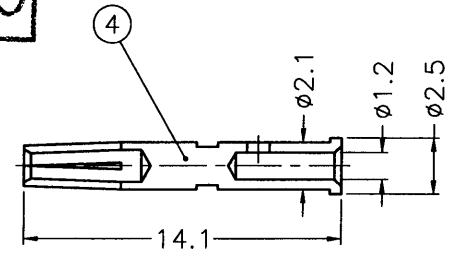
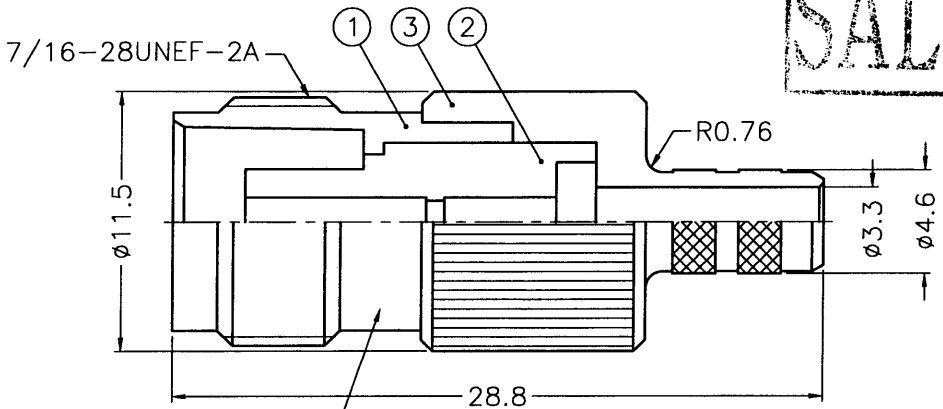
REVISIONS		
ISS	ZONE	DESCRIPTION\PER REQUEST\DATE



RECOMMENDED  
CABLE STRIPPING DIM'S  
(建議剝線尺寸)



SCALE 1/2



STAMP (IF ANY)  
噴字 (若有要求)



- NOTES: FINISH (PLATING THICKNESS IN MICRO-INCHES)
- BRASS PER QQ-B-626
  - NICKEL PL. 100 MIN. THICK OVER COPPER STRIKE
  - PHOSPHOR BRONZE PER QQ-B-750
  - GOLD PL. 3 MIN. THICK OVER NICKEL PL. 100 MIN. THICK OVER COPPER STRIKE
  - TEFLON MIL-P-19468

- CRIMPED FERRULE  
HEX CRIMP SIZE .213"
- CRIMPED CONTACT PIN  
HEX CRIMP SIZE .068"

DIMENSIONS ARE IN MILLIMETERS				PART NO.	
UNLESS OTHERWISE SPECIFIED TOLERANCES				APPROVED	DATE
0.5-6	= ±0.2	6-30	= ±0.4	<i>Scott H</i>	06-10-04'
30-120	= ±0.6	120-315	= ±1	CHECKED	DATE
315-1000	= ±1.6	1000-2000	= ±2.4	<i>Paul W</i>	06-10-04'
DRAWN				DATE	
<i>Angela W</i>				06-10-04'	
FILE NO.				F:\DWG\T\6121A1\003\50\NT3G	

<b>Amphenol</b>	
Danbury,CT,USA-Tainan,Taiwan-Shenzhen,China	
TITLE	TNC CRIMP JACK (FOR LMR200 CABLE)
DRAWING NO.	T6121A1-003-NT3G-50
ITEM NO.	026121AAY20NA5F

NO.	DESCRIPTION	MATERIAL	FINISH	Q'TY	DRAWING NO.
5	FERRULE	COPPER	NOTE 2	1	FR-648/533X 127C
4	CONTACT PIN	NOTE 3	NOTE 4	1	B74000-8-25/12
3	HOUSING	NOTE 1	NOTE 2	1	HS00AMB02A
2	INSULATOR	NOTE 5	NATURAL	1	B74000-3T-50
1	BODY	NOTE 1	NOTE 2	1	T74000-2

7ED-DR 4838 8