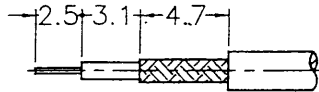
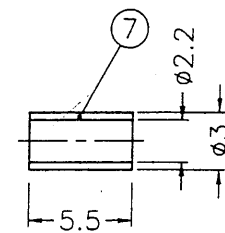
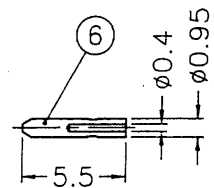
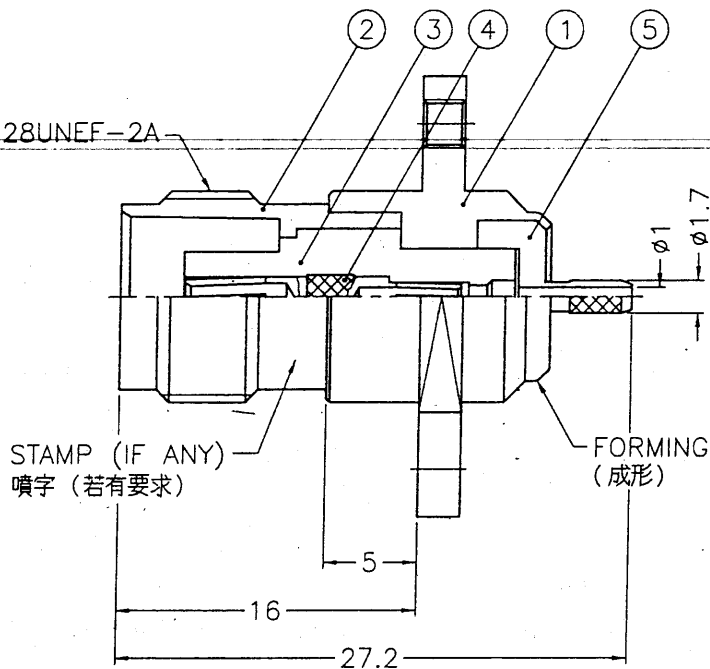
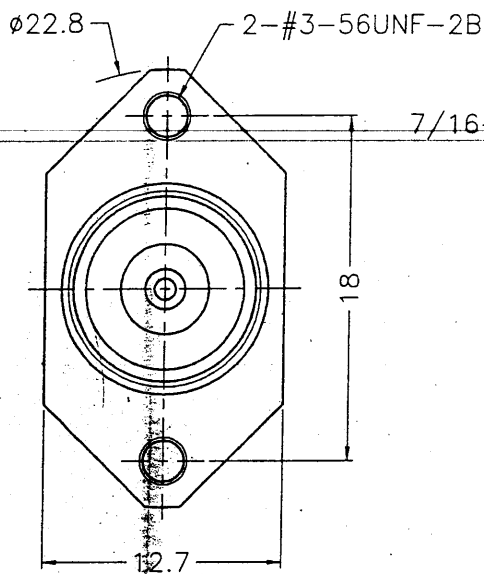


REVISIONS		
ISS	ZONE	DESCRIPTION\PER REQUEST\DATE



RECOMMENDED
CABLE STRIPPING DIM'S
(建議剝線尺寸)



NOTES: FINISH (PLATING THICKNESS IN MICRO-INCHES)

1. BRASS PER QQ-B-626
2. NICKEL PL. 100 MIN. THICK OVER COPPER STRIKE
3. PHOSPHOR BRONZE PER QQ-B-750
4. GOLD PL. 3 MIN. THICK OVER NICKEL PL. 100 MIN. THICK OVER COPPER STRIKE
5. TEFLON MIL-P-19468
6. JIS H3250, C 2600

1. CRIMPED FERRULE
HEX CRIMP SIZE .100"
2. CRIMPED CONTACT PIN
SQ. CRIMP SIZE 0.7(mm)

DIMENSIONS ARE IN MILLIMETERS						PART NO.	
7	FERRULE	NOTE 6	NOTE 2	1	FR00AAC93A	UNLESS OTHERWISE SPECIFIED TOLERANCES	
6	CONTACT PIN	NOTE 1	NOTE 4	1	B50003-9-0.4	0.5-6 = ±0.2	APPROVED <i>Kandy</i> DATE 08-26-03'
5	BARREL	NOTE 1	NOTE 2	1	B6421G1-5-17/1	6-30 = ±0.4	CHECKED <i>Kandy</i> DATE 08-26-03'
4	CONTACT PIN	NOTE 3	NOTE 4	1	B6421G1-4-1.05	30-120 = ±0.6	DRAWN <i>ENYA</i> DATE 08-26-03'
3	INSULATOR	NOTE 5	NATURAL	1	B6421G1-3T-50	120-315 = ±1	FILE NO. F:\DWG\T\6521G5\196AU-50\NT3G-A1
2	BODY	NOTE 1	NOTE 2	1	T74000-2	315-1000 = ±1.6	
1	HOUSING	NOTE 1	NOTE 2	1	RT6521G2-001-1	1000-2000 = ±2.4	
NO.	DESCRIPTION	MATERIAL	FINISH	Q'TY	DRAWING NO.	SCALE 2.5/1	ISSUE A1

Amphenol
Danbury,CT,USA-Tainan,Taiwan-Shenzhen,China

TITLE TNC PANEL CRIMP JACK
(FOR RG-178B/U,196A/U)

DRAWING NO. T6521G5-NT3G-196AU-50

ITEM NO.