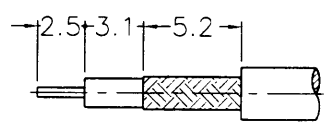
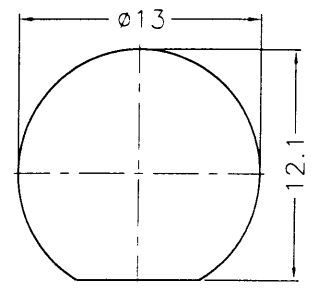


1 2 3 4 5 6 7 8

REVISIONS		
ISS	ZONE	DESCRIPTION\PER REQUEST\DATE

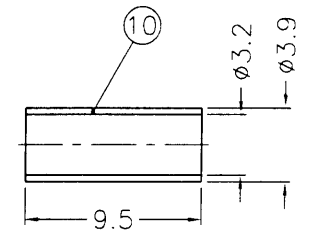
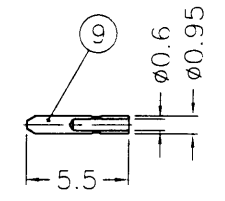
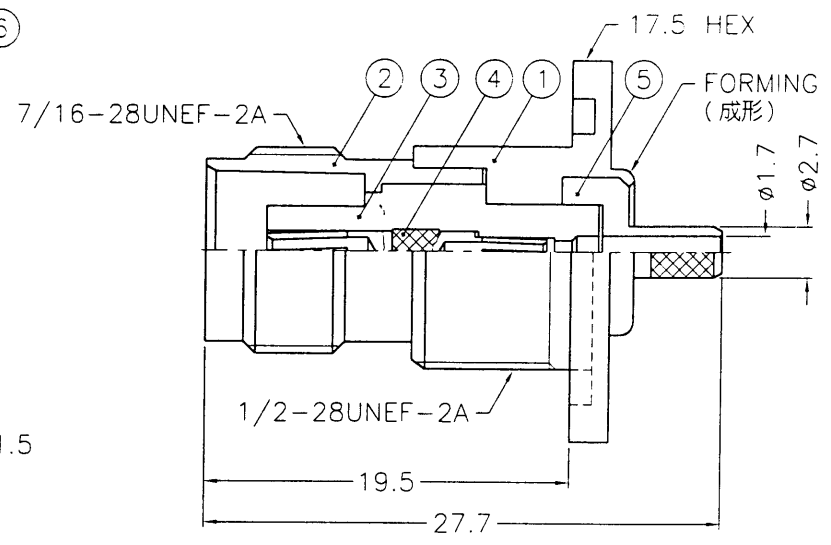
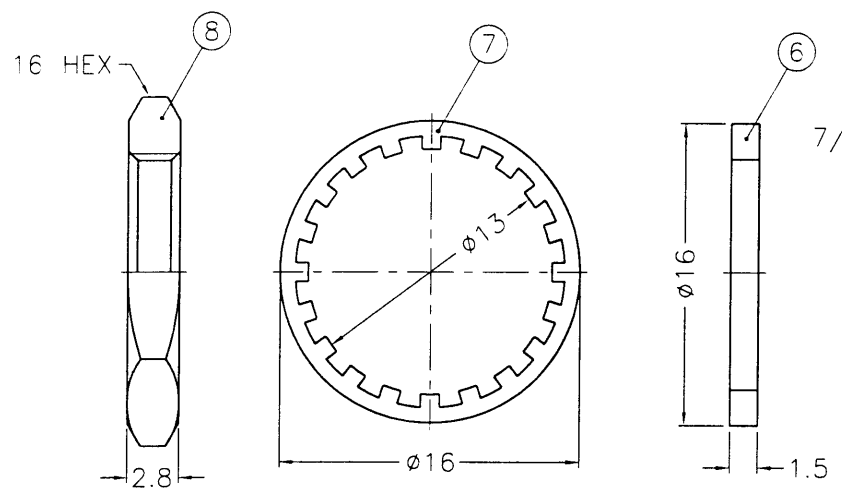


業務部



RECOMMENDED
CABLE STRIPPING DIM'S
(建議剝線尺寸)

RECOMMENDED
MOUNTING HOLE
(建議架設孔)



- NOTES: FINISH (PLATING THICKNESS IN MICRO-INCHES)
- BRASS PER QQ-B-626
 - BRASS PER QQ-B-613
 - NICKEL PL. 100 MIN. THICK OVER COPPER STRIKE
 - PHOSPHOR BRONZE PER QQ-B-750
 - GOLD PL. 3 MIN. THICK OVER NICKEL PL. 100 MIN. THICK OVER COPPER STRIKE
 - TEFLON MIL-P-19468
 - JIS H3250, C 2700

88.8.20
& D

10	FERRULE	NOTE 7	NOTE 3	1	FR-39/32X95
9	CONTACT PIN	NOTE 1	NOTE 5	1	B50003-9-0.6
8	HEX NUT	NOTE 1	NOTE 3	1	HN16-1/2-28X28
7	LOCK WASHER	NOTE 2	NOTE 3	1	LW-16/13X05
6	GASKET	RUBBER	RED	1	GS-16/122X15
5	BARREL	NOTE 1	NOTE 3	1	B6421G1-5-27/17
4	CONTACT PIN	NOTE 4	NOTE 5	1	B6421G1-4-1.05
3	INSULATOR	NOTE 6	NATURAL	1	B6421G1-3T-50
2	BODY	NOTE 1	NOTE 3	1	T74000-2
1	HOUSING	NOTE 1	NOTE 3	1	B6421G1-1-B
NO.	DESCRIPTION	MATERIAL	FINISH	Q'TY	DRAWING NO.

DIMENSIONS ARE IN MILLIMETERS		PART NO.	
UNLESS OTHERWISE SPECIFIED TOLERANCES		APPROVED	
0.5-6 = ±0.2	6-30 = ±0.4	DATE 08-17-99'	
30-120 = ±0.6	120-315 = ±1	CHECKED	
315-1000 = ±1.6	1000-2000 = ±2.4	DATE 08-17-99'	
SCALE 2.5/1	ISSUE A	DRAWN	
		DATE 08-17-99'	

KAI JACK INDUSTRIAL CO., LTD.
TAINAN TAINAN R.O.C.

TNC BULKHEAD CRIMP JACK
(FOR RG-174/U, 188A/U, 316/U)

DRAWING NO. KJ-T6421G1-NT3G-316U-50

FILE NO. F:\DWG\T\6421G1\316U-50\NT3G

F
E
D
C
B
A

F
E
D
C
B
A

1 2 3 4 5 6 7 8 8TR1100