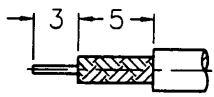
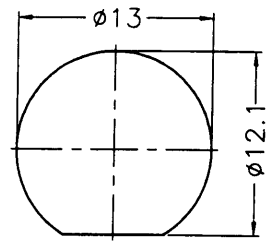


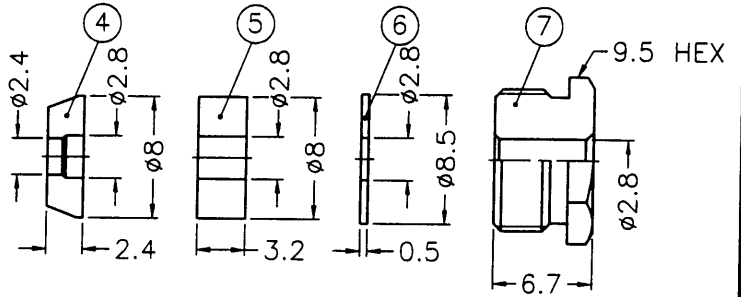
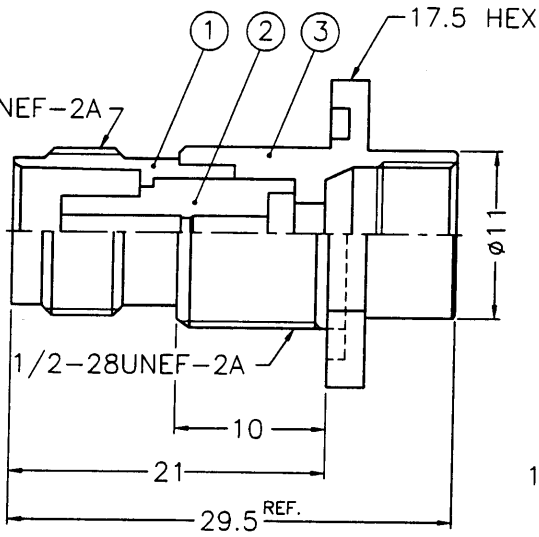
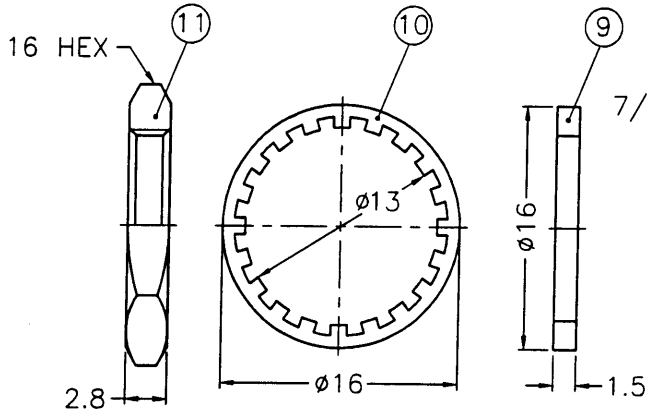
REVISIONS		
ISS	ZONE	DESCRIPTION\PER REQUEST\DATE



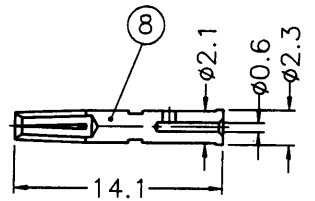
RECOMMENDED
CABLE STRIPPING DIM'S
(建議剝線尺寸)



RECOMMENDED
MOUNTING HOLE
(建議架設孔)



1. CRIMPED CONTACT PIN
HEX CRIMP SIZE .068"



NOTES: FINISH (PLATING THICKNESS IN MICRO-INCHES)
 1. BRASS PER QQ-B-626
 2. BRASS PER QQ-B-613
 3. NICKEL PL. 100 MIN. THICK OVER COPPER STRIKE
 4. PHOSPHOR BRONZE PER QQ-B-750
 5. GOLD PL. 3 MIN. THICK OVER NICKEL PL. 100 MIN. THICK OVER COPPER STRIKE
 6. TEFLON MIL-P-19468

11	HEX NUT	NOTE 1	NOTE 3	1	HN16-1/2-28X28
10	WASHER	NOTE 2	NOTE 3	1	LW-16/13X05
9	GASKET	SILICONE	RED	1	GS-16/122X15S
8	CONTACT PIN	NOTE 4	NOTE 5	1	B74000-8-23/06
7	HEX NUT	NOTE 1	NOTE 3	1	B5205-12-95/28
6	WASHER	NOTE 2	NOTE 3	1	WS-85/28X05
5	GASKET	SILICONE	RED	1	GS-8/28X32
4	TOP HAT	NOTE 1	NOTE 3	1	B5205-9-28/24-B
3	HOUSING	NOTE 1	NOTE 3	1	T6441A2-3
2	INSULATOR	NOTE 6	NATURAL	1	B74000-3T-50
1	BODY	NOTE 1	NOTE 3	1	T74000-2

DIMENSIONS ARE IN MILLIMETERS				PART NO.	
UNLESS OTHERWISE SPECIFIED TOLERANCES				APPROVED <i>Andy C</i> DATE 06-26-00'	
0.5-6 = ±0.2				CHECKED <i>Andy C</i> DATE 06-26-00'	
6-30 = ±0.4				DRAWN <i>Irene L</i> DATE 06-26-00'	
30-120 = ±0.6					
120-315 = ±1					
315-1000 = ±1.6					
1000-2000 = ±2.4					
SCALE	2/1	ISSUE	A		

Amphenol - Kai Jack	
TAINAN TAIWAN	
TITLE	TNC BULKHEAD CLAMP JACK (FOR RG-174/U,188A/U,316/U)
DRAWING NO.	KJ-T6441A2-NT3G-316U-50
FILE NO.	F:\DWG\T\6441A2\316U-50\NT3G

F
E
D
C
B
A

F
E
D
C
B
A