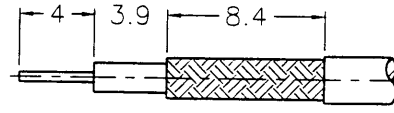


1 2 3 4 5 6 7 8

REVISIONS		
ISS	ZONE	DESCRIPTION\APPROVED\DATE



RECOMMENDED  
CABLE STRIPPING DIM'S



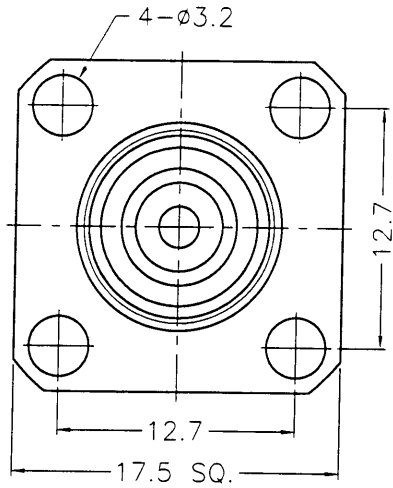
F

E

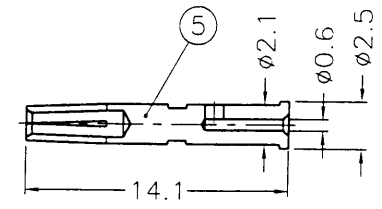
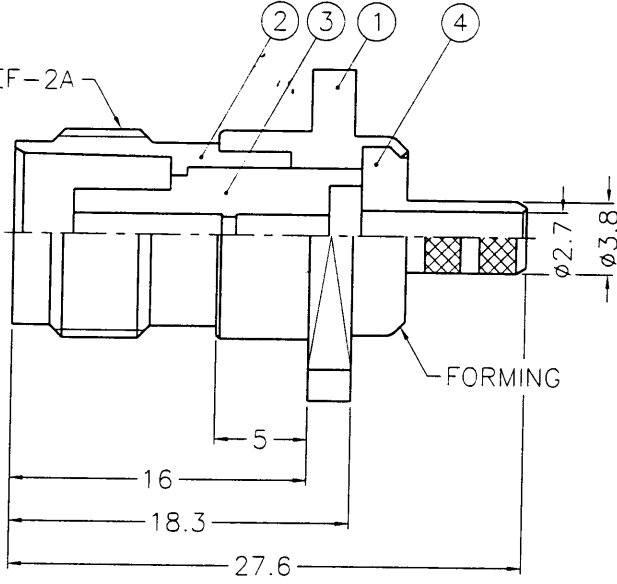
D

C

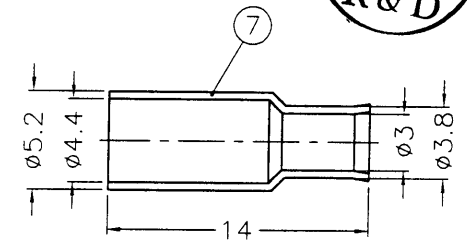
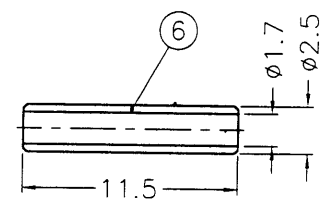
B



7/16-28UNEF-2A



- NOTES: FINISH (PLATING THICKNESS IN MICRO-INCHES)
1. BRASS PER QQ-B-626
  2. NICKEL PL. 100 MIN. THICK OVER COPPER STRIKE
  3. PHOSPHOR BRONZE PER QQ-B-750
  4. GOLD PL. 3 MIN. THICK OVER NICKEL PL. 100 MIN. THICK OVER COPPER STRIKE
  5. JIS H 3260, C 3501



A

NO.	DESCRIPTION	MATERIAL	FINISH	Q'TY	DRAWING NO.
7	FERRULE	NOTE 5	NATURAL	1	FR-52/44-38/3 X14
6	SLEEVE	DELIN	NATURAL	1	SL-25/17X115
5	CONTACT PIN	NOTE 3	NOTE 4	1	B74C00-8-25/06
4	BARREL	NOTE 1	NOTE 2	1	B50900-6-38/27S
3	INSULATOR	DELIN	NATURAL	1	B74050-3-50-B
2	BODY	NOTE 1	NOTE 2	1	T74000-2
1	HOUSING	NOTE 1	NOTE 2	1	B75000-1

DIMENSIONS ARE IN MILLIMETERS		PART NO.	
UNLESS OTHERWISE SPECIFIED TOLERANCES		APPROVED	
0.5-6 = ±0.2	6-30 = ±0.4	DATE 11-28-98'	
30-120 = ±0.6	120-315 = ±1	CHECKED	
315-1000 = ±1.6	1000-2000 = ±2.4	DATE 11-28-98'	
SCALE   2.5/1   ISSUE   A		DRAWN	
		DATE 11-28-98'	



KAI JACK INDUSTRIAL CO., LTD.  
TAINAN TAIWAN R.O.C.

TITLE	
TNC PANEL CRIMP JACK (FOR RG-174/U, 188A/U, 316/U)	
DRAWING NO. KJ-T6521E1-ND3G-316U-50	
FILE NO. F:\DWG\T\6521E1\316U-50\ND3G	

1 2 3 4 5 6 7 8

87-20921