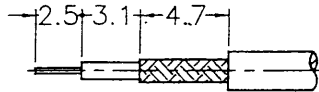
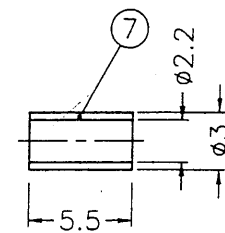
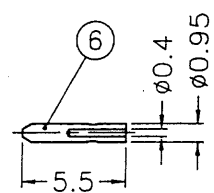
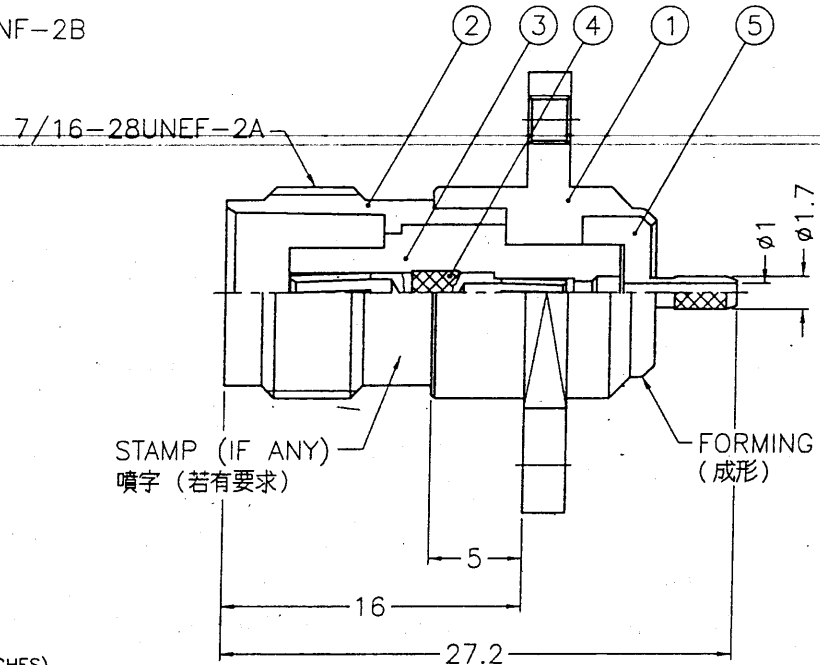
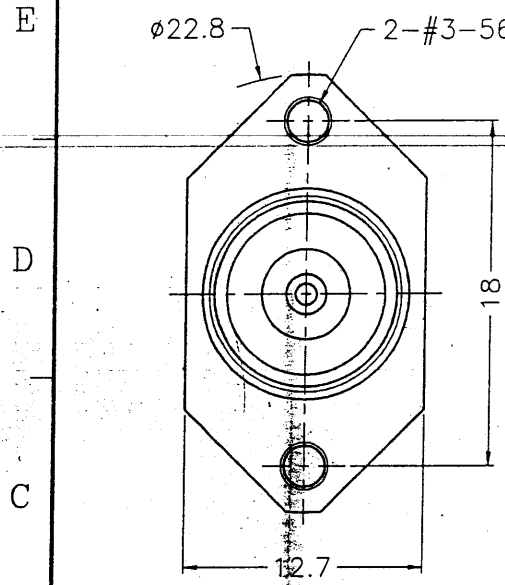


REVISIONS		
ISS	ZONE	DESCRIPTION\PER REQUEST\DATE



RECOMMENDED  
CABLE STRIPPING DIM'S  
(建議剝線尺寸)



STAMP (IF ANY)  
噴字 (若有要求)

FORMING  
(成形)

NOTES: FINISH (PLATING THICKNESS IN MICRO-INCHES)

1. BRASS PER QQ-B-626
2. NICKEL PL. 100 MIN. THICK OVER COPPER STRIKE
3. PHOSPHOR BRONZE PER QQ-B-750
4. GOLD PL. 3 MIN. THICK OVER NICKEL PL. 100 MIN. THICK OVER COPPER STRIKE
5. TEFLON MIL-P-19468
6. JIS H3250, C 2600

1. CRIMPED FERRULE  
HEX CRIMP SIZE .100"
2. CRIMPED CONTACT PIN  
SQ. CRIMP SIZE 0.7(mm)

DIMENSIONS ARE IN MILLIMETERS						PART NO.		<h2 style="text-align: center;">Amphenol</h2> <p style="text-align: center;">Danbury,CT,USA-Tainan,Taiwan-Shenzhen,China</p>						
7	FERRULE	NOTE 6	NOTE 2	1	FR00AAC93A	UNLESS OTHERWISE SPECIFIED TOLERANCES 0.5-6 = ±0.2 6-30 = ±0.4 30-120 = ±0.6 120-315 = ±1 315-1000 = ±1.6 1000-2000 = ±2.4	APPROVED			<i>Kandy</i>	DATE	08-26-03'	TITLE	TNC PANEL CRIMP JACK (FOR RG-178B/U,196A/U)
6	CONTACT PIN	NOTE 1	NOTE 4	1	B50003-9-0.4		CHECKED			<i>Kandy</i>	DATE	08-26-03'	DRAWING NO.	T6521G5-NT3G-196AU-50
5	BARREL	NOTE 1	NOTE 2	1	B6421G1-5-17/1		DRAWN			<i>Kandy</i>	DATE	08-26-03'	ITEM NO.	
4	CONTACT PIN	NOTE 3	NOTE 4	1	B6421G1-4-1.05		ENYA							
3	INSULATOR	NOTE 5	NATURAL	1	B6421G1-3T-50									
2	BODY	NOTE 1	NOTE 2	1	T74000-2									
1	HOUSING	NOTE 1	NOTE 2	1	RT6521G2-001-1									
NO.	DESCRIPTION	MATERIAL	FINISH	Q'TY	DRAWING NO.	SCALE	2.5/1	ISSUE	A1	FILE NO.	F:\DWG\T\6521G5\196AU-50\NT3G-A1			