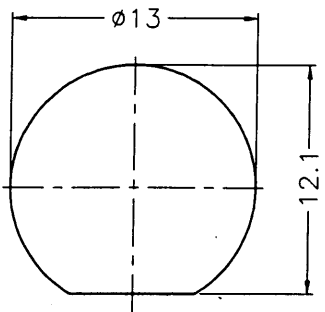


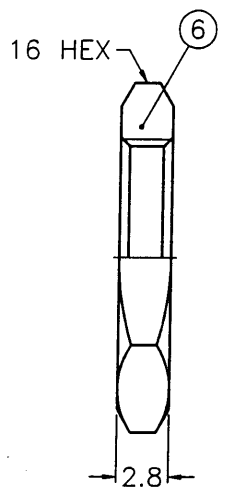
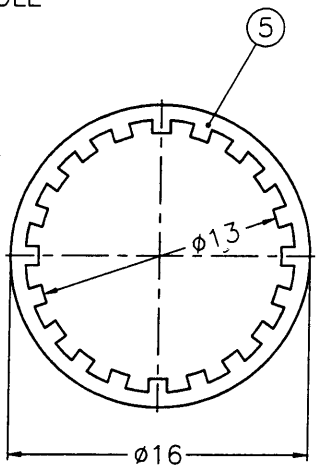
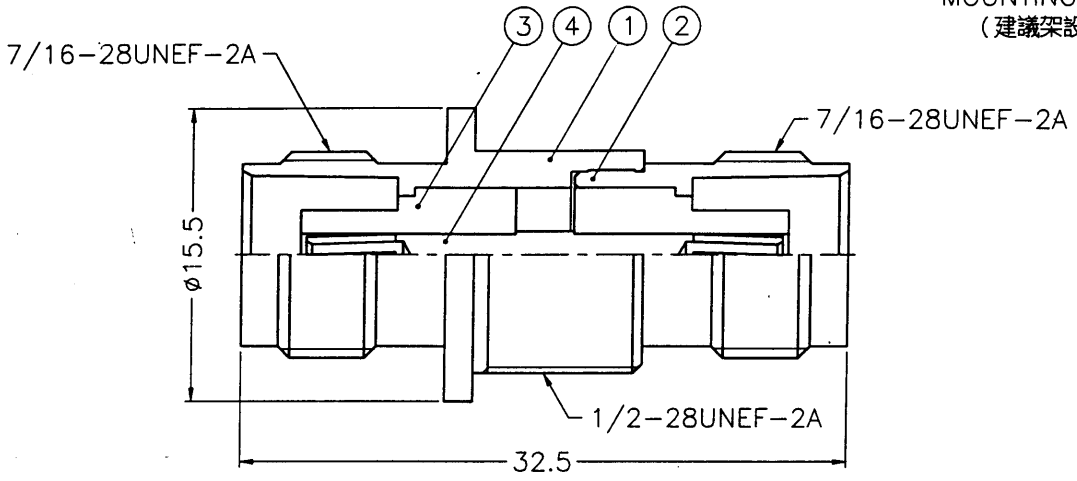
1 2 3 4 5 6 7 8

REVISIONS		
ISS	ZONE	DESCRIPTION\PER REQUEST\DATE

業務部



RECOMMENDED MOUNTING HOLE
(建議架設孔)



NOTES: FINISH (PLATING THICKNESS IN MICRO-INCHES)
 1. BRASS PER QQ-B-626
 2. BRASS PER QQ-B-613
 3. NICKEL PL. 100 MIN. THICK OVER COPPER STRIKE
 4. PHOSPHOR BRONZE PER QQ-B-750
 5. GOLD PL. 3 MIN. THICK OVER NICKEL PL. 100 MIN. THICK OVER COPPER STRIKE

出圖
89.6.01
設

NO.	DESCRIPTION	MATERIAL	FINISH	Q'TY	DRAWING NO.
6	HEX NUT	NOTE 1	NOTE 3	1	HN16-1/2-28X28
5	LOCK WASHER	NOTE 2	NOTE 3	1	LW-16/13X05
4	CONTACT PIN	NOTE 4	NOTE 5	1	B7900-4
3	INSULATOR	DELTRIN	NATURAL	2	B7996ZZ-3-50
2	BODY	NOTE 1	NOTE 3	1	T74000-2
1	HOUSING	NOTE 1	NOTE 3	1	T7915-1-A

DIMENSIONS ARE IN MILLIMETERS			
UNLESS OTHERWISE SPECIFIED TOLERANCES			
0.5-6	=	±0.2	
6-30	=	±0.4	
30-120	=	±0.6	
120-315	=	±1	
315-1000	=	±1.6	
1000-2000	=	±2.4	
SCALE	2.5/1	ISSUE	A

PART NO.	
APPROVED	DATE 05-25-00'
CHECKED	DATE 05-25-00'
DRAWN	DATE 05-25-00'

Amphenol - Kai Jack	
TAINAN TAIWAN	
TITLE	TNC FEMALE TO FEMALE BULKHEAD ADAPTOR
DRAWING NO.	KJ-T7471B1-ND3G-50
FILE NO.	F:\DWG\T\7471B1\50\ND3G

1 2 3 4 5 6 7 8 RD-DR159