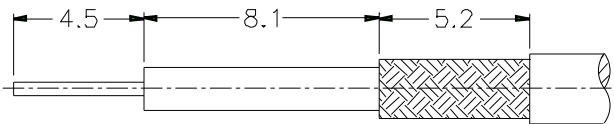
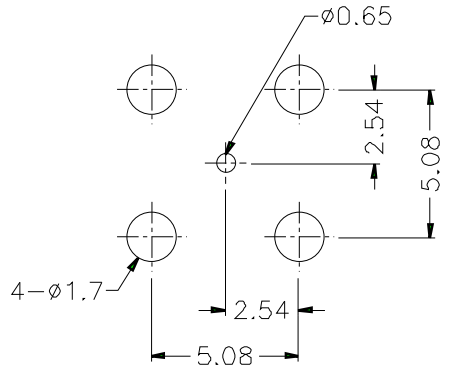
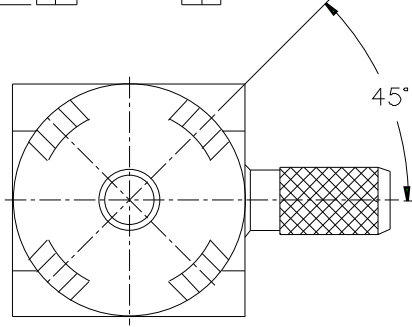
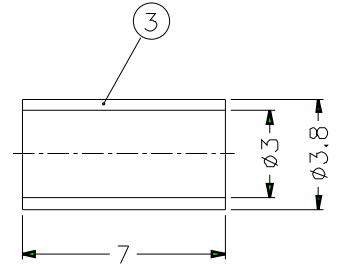
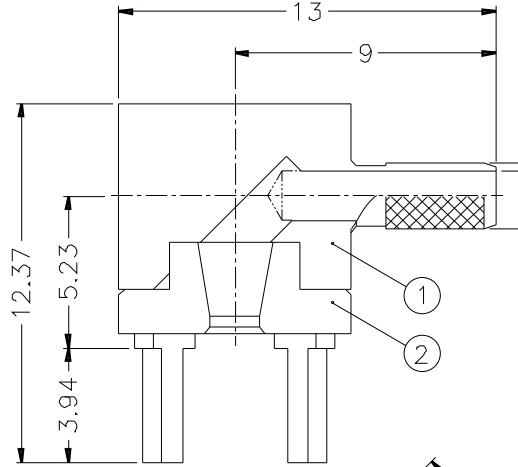
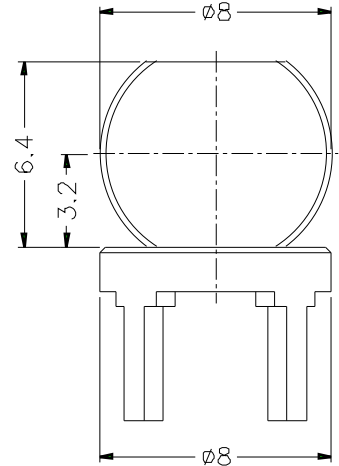


REVISIONS				
ISS	ZONE	DESCRIPTION	PER REQUEST	DATE

1. CRIMPED FERRULE
HEX CRIMP SIZE .128"



RECOMMENDED
CABLE STRIPPING DIM'S



RECOMMENDED
MOUNTING HOLE

NOTES: FINISH (PLATING THICKNESS IN MICRO-INCHES)
1. BRASS PER QQ-B-626
2. GOLD PL, 3 MIN. THICK OVER NICKEL PL, 100 MIN. THICK OVER COPPER STRIKE

DIMENSIONS ARE IN MILLIMETERS				PART NO. TMN0112U1-3G-05	
UNLESS OTHERWISE SPECIFIED TOLERANCES				APPROVED	DATE
0.5-6 = ±0.2					10-11-01'
6-30 = ±0.4				CHECKED	DATE
30-120 = ±0.6					10-11-01'
120-315 = ±1				DRAWN	DATE
315-1000 = ±1.6					10-11-01'
1000-2000 = ±2.4					
NO.	DESCRIPTION	MATERIAL	FINISH	Q'TY	DRAWING NO.

3	FERRULE	COPPER	NOTE 2	1	FR-38/3X7C
2	BODY	NOTE 1	NOTE 2	1	TMN0112U1-2-17
1	BARREL	NOTE 1	NOTE 2	1	TMN0112U1-1-23/17

Amphenol	
TITLE R/A PCB CABLE TERMINAL (FOR RG-174/U,188A/U,316/U)	
DRAWING NO. KJ-TMN0112U1-3G-316U	
ITEM NO.	