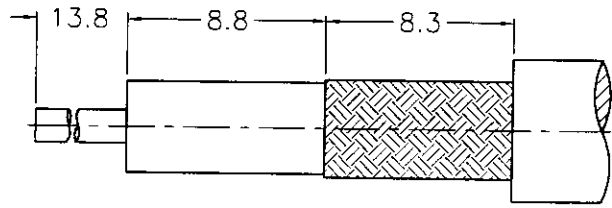


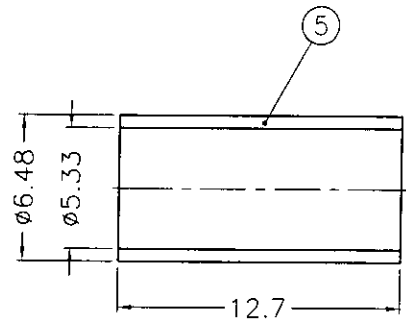
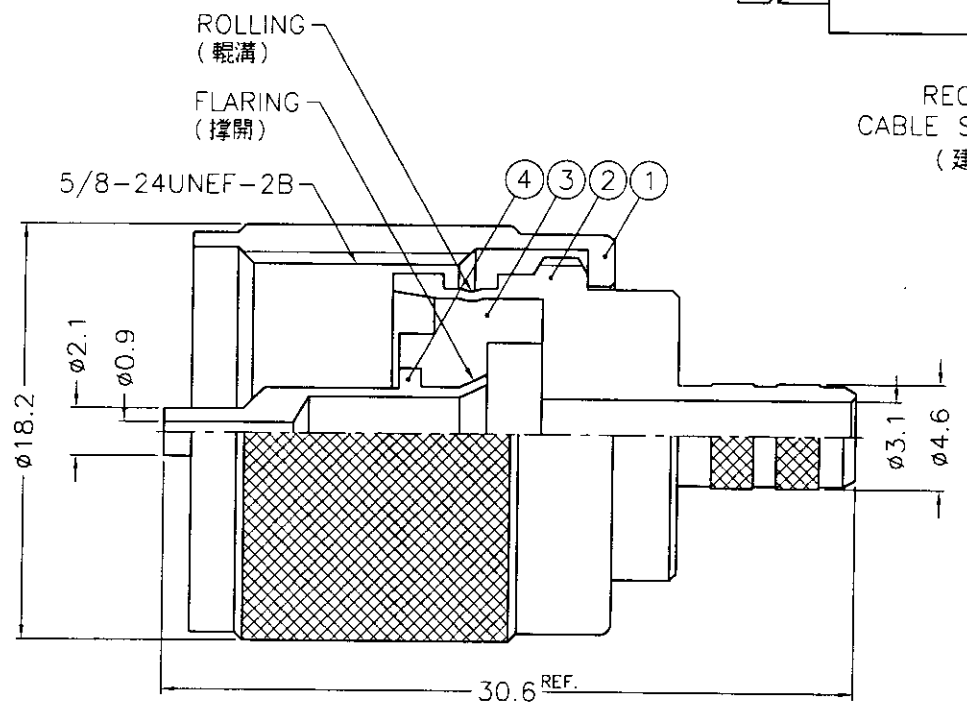
1 2 3 4 5 6 7 8

REVISIONS			
ISS	ZONE	DESCRIPTION	PER REQUEST DATE

業務部



RECOMMENDED
CABLE STRIPPING DIM'S
(建議剝線尺寸)



NOTES: FINISH (PLATING THICKNESS IN MICRO-INCHES)
 1. BRASS PER QQ-B-626
 2. NICKEL PL. 100 MIN. THICK OVER COPPER STRIKE
 3. SILVER PL. 200 MIN. THICK OVER COPPER STRIKE
 4. PHENOLIC, YELLOW PER PANTONE 110C

山圖
88.5.27

DIMENSIONS ARE IN MILLIMETERS

UNLESS OTHERWISE SPECIFIED TOLERANCES

0.5-6	= ±0.2
6-30	= ±0.4
30-120	= ±0.6
120-315	= ±1
315-1000	= ±1.6
1000-2000	= ±2.4

PART NO.	APPROVED	DATE
FR-648/533X 127C	<i>Dark C</i>	05-24-99'
UNLESS OTHERWISE SPECIFIED TOLERANCES	CHECKED	DATE
	<i>Dark C</i>	05-24-99'
	DRAWN	DATE
	<i>Adm</i>	05-24-99'

	KAI JACK INDUSTRIAL CO., LTD. TAINAN TAIWAN R.O.C.
TITLE	UHF CRIMP PLUG
DRAWING NO.	KJ-U1121A1-NPHS-58U-50
FILE NO.	F:\DWG\U\1121A1\58U-50\NPHS

NO.	DESCRIPTION	MATERIAL	FINISH	Q'TY	DRAWING NO.
5	FERRULE	COPPER	NOTE 2	1	FR-648/533X 127C
4	CONTACT PIN	NOTE 1	NOTE 3	1	U5000-4-21/09
3	INSULATOR	NOTE 4	NOTE 4	1	U5290-3PHE-50
2	BODY	NOTE 1	NOTE 2	1	U5000-2-46/31
1	SHELL	NOTE 1	NOTE 2	1	U5000-1

A

8k6074