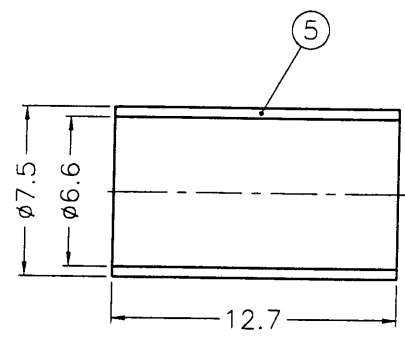
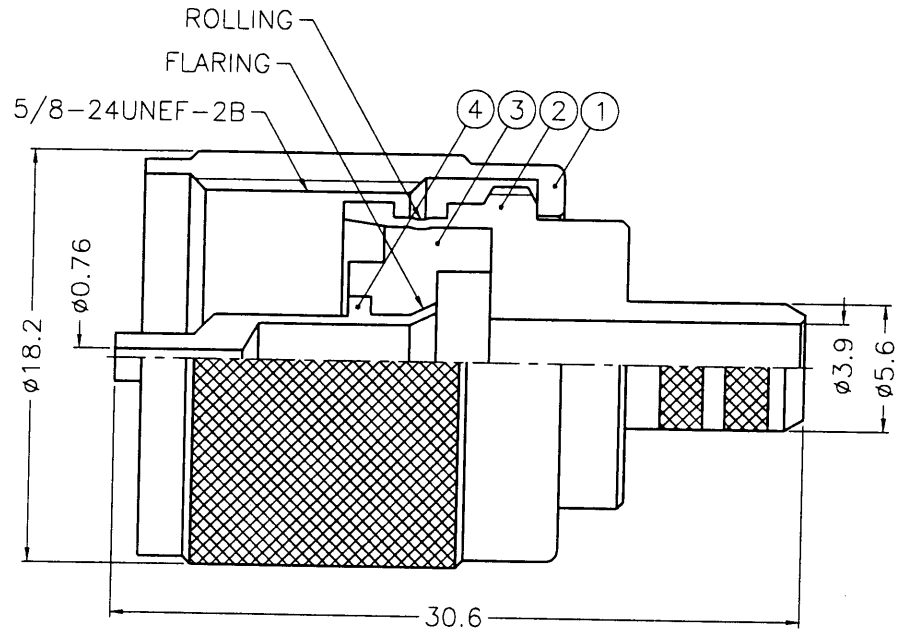


1 2 3 4 5 6 7 8

REVISIONS		
ISS	ZONE	DESCRIPTION\APPROVED\DATE
	A-7	U1121A1 WAS U5000\TONY. T\06-01-93'
B	A-1	DRAWING NO. WERE CHANGED ON NO.2, NO.4 AND NO.5\TONY .T\09-23-96'

業務部



- NOTES: 1. PER KAI JACK SPEC. EP-SS-9700  
 2. BRASS PER QQ-B-626  
 3. PHENOLIC, YELLOW PER PANTONE 110C (U5290-3PHE-50)  
 PBT, YELLOW PER PANTONE 110C (U5290-3PBT-50)  
 TEFLON MIL-P-19468, NATURAL (U5000-3T)  
 4. JIS H 3250, C 2700

出圖  
87.3.26  
R&D

DIMENSIONS ARE IN MILLIMETERS			
UNLESS OTHERWISE SPECIFIED TOLERANCES			
0.5-6	=	±0.2	
6-30	=	±0.4	
30-120	=	±0.6	
120-315	=	±1	
315-1000	=	±1.6	
1000-2000	=	±2.4	

NO.	DESCRIPTION	MATERIAL	FINISH	Q'TY	DRAWING NO.
5	FERRULE			1	FR-75/66X127
4	CONTACT PIN			1	U5000-4-21/076
3	INSULATOR			1	NOTE 3
2	BODY			1	U5000-2-56/39
1	SHELL			1	U5000-1

PART NO.	
APPROVED	DATE
CHECKED	DATE
DRAWN	DATE

<p>KAI JACK INDUSTRIAL CO., LTD. TAINAN TAIWAN R.O.C.</p>	TITLE
	DRAWING NO.
	FILE NO.

1 2 3 4 5 6 7 8 U-R0204