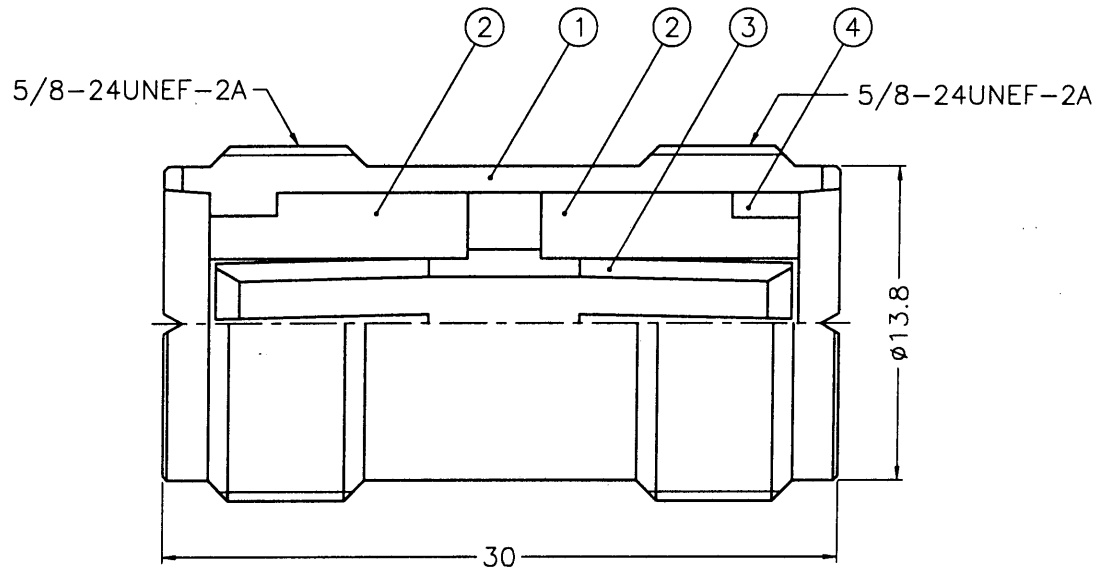


1 2 3 4 5 6 7 8

| REVISIONS |      |   |
|-----------|------|---|
| ISS       | ZONE | DESCRIPTION\PER REQUEST\DATE                            |
| B         | A-1  | NO.1 AND NO.4 WERE CHANGED\RD-DM92012001S\<br>01-20-03' |

**SALES**



ISSUED  
2003. 1. 21  
R&D

- NOTES: FINISH (PLATING THICKNESS IN MICRO-INCHES)
1. BRASS PER QQ-B-626
  2. NICKEL PL. 100 MIN. THICK OVER COPPER STRIKE
  3. GOLD PL. 3 MIN. THICK OVER NICKEL PL. 100 MIN. THICK OVER COPPER STRIKE
  4. TEFLON MIL-P-19468

|                                       |  |  |  |                |           |   |                           |
|---------------------------------------|--|--|--|----------------|-----------|---|---------------------------|
| DIMENSIONS ARE IN MILLIMETERS         |  |  |  | PART NO.       |           | <b>Amphenol - Kai Jack</b><br>TAINAN TAIWAN |                           |
| UNLESS OTHERWISE SPECIFIED TOLERANCES |  |  |  | APPROVED       | DATE      |   |                           |
| 0.5-6 = ±0.2                          |  |  |  | <i>DRK C</i>   | 01-20-03' | TITLE                                       |                           |
| 6-30 = ±0.4                           |  |  |  |                |           | CHECKED                                     | DATE                      |
| 30-120 = ±0.6                         |  |  |  | <i>Staly w</i> | 01-20-03' | DRAWING NO.                                 |                           |
| 120-315 = ±1                          |  |  |  |                |           | DRAWN                                       | DATE                      |
| 315-1000 = ±1.6                       |  |  |  | <i>Staly.w</i> | 01-20-03' | ITEM NO.                                    |                           |
| 1000-2000 = ±2.4                      |  |  |  |                |           | FILE NO.                                    | F:\DWG\U\7071A1\50\NT3G-B |

| NO. | DESCRIPTION | MATERIAL | FINISH | Q'TY    | DRAWING NO.   |
|-----|-------------|----------|--------|---------|---------------|
| 4   | RING        |          | NOTE 1 | NOTE 2  | 1 LR00AAC15A  |
| 3   | CONTACT PIN |          | NOTE 1 | NOTE 3  | 1 U7900-3     |
| 2   | INSULATOR   |          | NOTE 4 | NATURAL | 2 U7900-2T-50 |
| 1   | BODY        |          | NOTE 1 | NOTE 2  | 1 U7900-1-B   |

RD-DM 16287 8

F  
E  
D  
C  
B  
A

F  
E  
D  
C  
B  
A