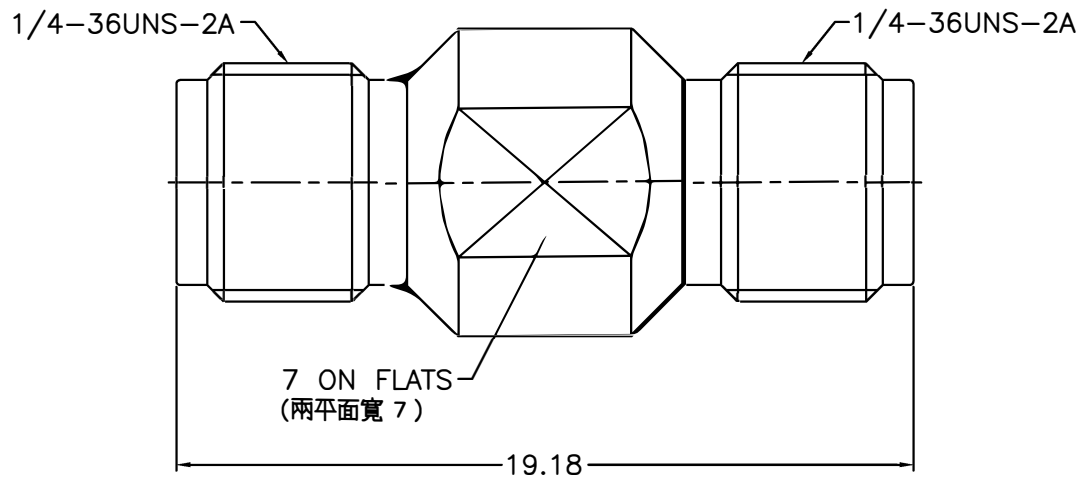


1			2			3			4			5			6			7			8		
REVISIONS																							
ISS	ZONE	DESCRIPTION\PER REQUEST\DATE																					



NOTES: FINISH (PLATING THICKNESS IN MICRO-INCHES)

1. BERYLLIUM COPPER
2. STAINLESS STEEL
3. PASSIVATED
4. GOLD PL. 10 MIN. THICK OVER NICKEL PL. 50 MIN. THICK OVER COPPER PL. 50 MIN. THICK

RoHS COMPLIANT

						DIMENSIONS ARE IN MILLIMETERS				PART NO.							
						UNLESS OTHERWISE SPECIFIED TOLERANCES				APPROVED							
						0.5-6 = ±0.2				DATE 07-10-'18							
						6-30 = ±0.4				CHECKED							
						30-120 = ±0.6				DATE 07-10-'18							
						120-315 = ±1				DRAWN							
						315-1000 = ±1.6				DATE 07-10-'18							
						1000-2000 = ±2.4				TITLE							
4	BODY	NOTE 2	NOTE 3	1	292-7071SA2-4							2.92mm JACK TO JACK ADAPTOR					
3	RING	NOTE 2	NOTE 3	1	292-7071SA2-3							DRAWING NO.					
2	INSULATOR	ULTEM 1000	NATURAL	1	292-6251S1-3-50U							292-7071SA2-50					
1	CONTACT PIN	NOTE 1	NOTE 4	1	292-7071A1-1							FILE NO. R:\D\G\DWG\292\7071SA2\50					
NO.	DESCRIPTION	MATERIAL	FINISH	Q'TY	DRAWING NO.	SCALE	5/1	ISSUE	A								

1			2			3			4			5			6			7			8		
---	--	--	---	--	--	---	--	--	---	--	--	---	--	--	---	--	--	---	--	--	---	--	--