

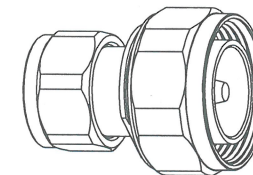
NOTES:

1. MATERIALS AND FINISH:  
 BODY - BRASS, WHITE BRONZE PLATING  
 CONTACT - BRASS, SILVER PLATING  
 INSULATOR - PTFE, NATURAL
2. ELECTRICAL:  
 A. IMPEDANCE: 50 OHM  
 B. FREQUENCY RANGE: DC-6 GHz  
 C. VSWR: 1.05 MAX @ DC - 4GHz  
 D. DIELECTRIC WITHSTANDING VOLTAGE: 2500 VRMS. MIN.  
 E. INTERMODULATION 3RD ORDER; -165 dBc MAX. (2\*43 dBm)
3. MECHANICAL:  
 A. DURABILITY: 500 CYCLES MIN.  
 B. TEMPERATURE RANGE: -65°C TO +165°C

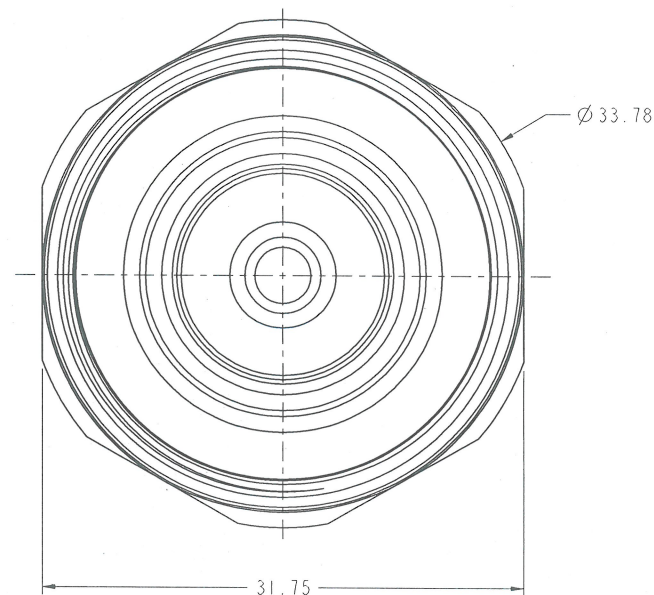
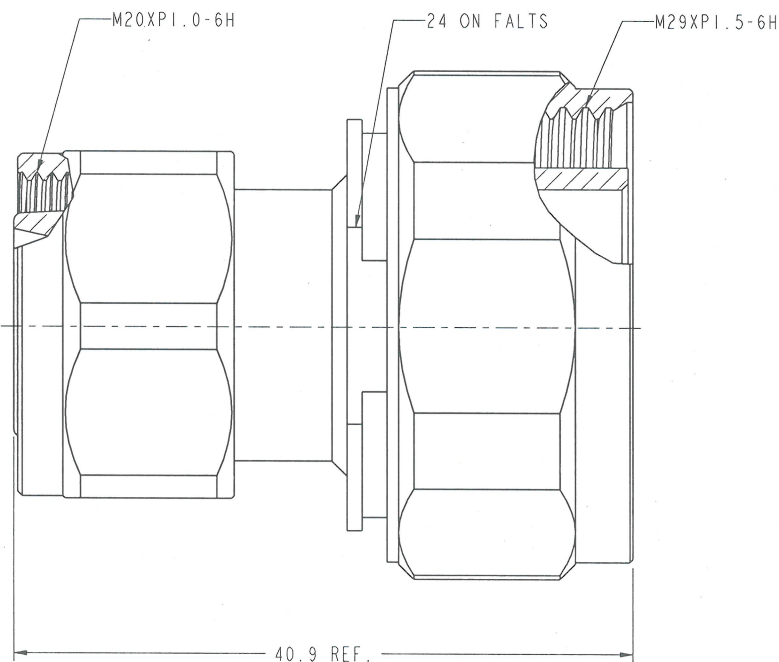
THIRD ANGLE PROJ.

REVISIONS

REV	DESCRIPTION	DATE	ECO	APPR
1	PRELIMINARY RELEASE.	25-Nov-14		JC



SCALE 1.000



**CUSTOMER OUTLINE DRAWING**  
 ALL OTHER SHEETS ARE FOR INTERNAL USE ONLY

UNLESS OTHERWISE SPECIFIED, DIMENSIONS ARE IN METRIC AND TOLERANCES ARE: < 0.5mm    0.5 - 6mm    6 - 30mm    30 - 120mm    ANGLES ± 0.05mm    ± 0.1mm    ± 0.2mm    ± 0.3mm    ± 1°	MATERIAL	DRAWN JERY.C	DATE 25-Nov-14	TITLE 7/16 PLUG TO 4.3-10 PLUG GRADE 2 ADAPTOR		Amphenol RF Danbury CT USA, Tainan, Taiwan, Shenzhen, China www.amphenolrf.com	
	REFERENCE AND CONFIGURATION LEVEL:	ENGINEER	DATE 25-Nov-14			DRAWING NO. 716M-4310M-ATS-50	
NOTICE - These drawings, specifications, or other data (1) are, and remain the property of Amphenol Corp. (2) must be returned upon request; and (3) are confidential and not to be disclosed to any person other than those to whom they are given by Amphenol Corp. The furnishing of these drawings, specifications, or other data by Amphenol Corp. or to any other person for any purpose is not to be regarded by implication or otherwise in any manner licensing, granting rights to permitting such holder or any other person to manufacture, use or sell any product, process or design, patented or otherwise, that may in any way be related to or disclosed by said drawings, specifications, or other data.	FINISH	APPROVED <i>hamy</i>	DATE 27-11-14	SCALE: 3.0:1.0	SHEET 2 OF 2	ITEM NO. 07F-88M-AB-5-F	PART NO.
		CAD FILE		DWG SIZE B	REV 1		