

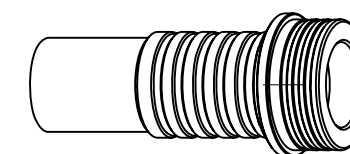
NOTES:

1. MATERIALS AND FINISHES:  
 BODY- BRASS, WHITE BRONZE PLATING (.000080 MIN THICK)  
 COUPLING NUT- BRASS, WHITE BRONZE PLATING  
 CENTER CONTACT-BERYLLIUM COPPER, GOLD PLATING (.000050 MIN THICK)  
 INSULATOR- PTFE  
 GASKET- EDPM
2. ELECTRICAL:  
 A. IMPEDANCE: 50 OHM  
 B. FREQUENCY RANGE: DC-2.5GHz, 2.5-6GHz, 6-11GHz  
 C. RETURN LOSS: >35db, >30db, >18db  
 D. DIELECTRIC WITHSTANDING VOLTAGE: 2000 VRMS, MIN.
3. MECHANICAL:  
 A. DURABILITY: 100 CYCLES MIN.  
 B. TEMPERATURE RANGE: -65° C TO +165° C  
 C. CENTER CONTACT AXIAL RETENTION (BOTH DIRECTIONS): 18 N MIN
4. PACKAGING:  
 A. QUANTITY: SINGLE PACK  
 B. MARKING: BAG TO BE MARKED  
 "AMPHENOL, 90-106P-51S, AND DATE CODE"
5. FOR CABLING INSTRUCTIONS SEE: AMPHENOL SPEC. 349-50787

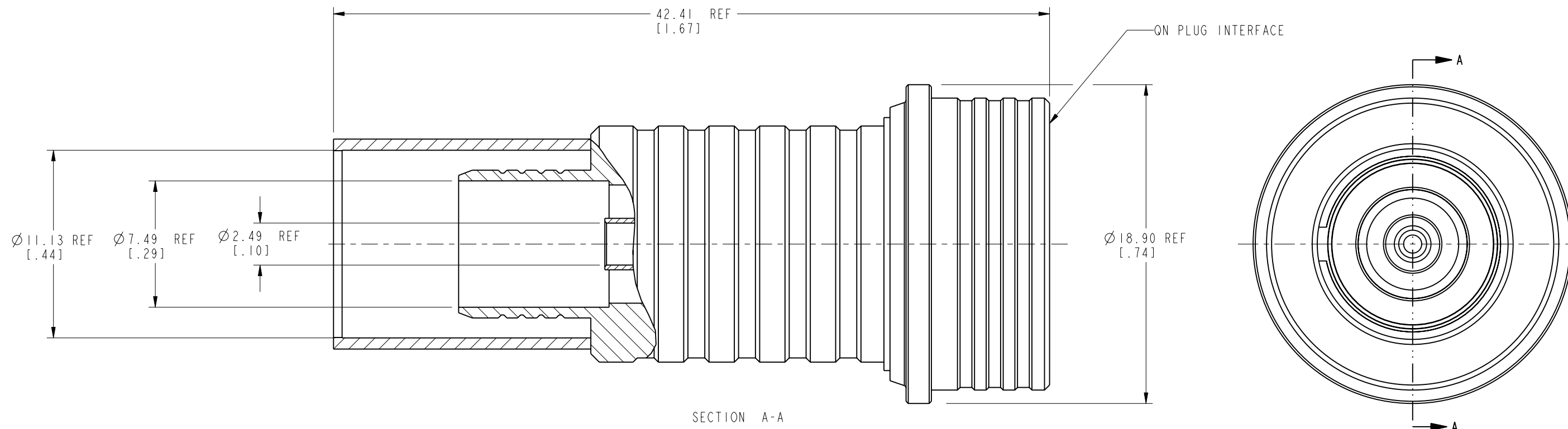
THIRD ANGLE PROJ.

REVISIONS

REV	DESCRIPTION	DATE	ECO	APPR
A	RELEASE TO MFG		47101	GSA



SCALE 1.000



**CUSTOMER OUTLINE DRAWING**  
 ALL OTHER SHEETS ARE FOR INTERNAL USE ONLY

UNLESS OTHERWISE SPECIFIED, DIMENSIONS ARE IN MILLIMETERS AND TOLERANCES ARE: PLACE DECIMAL - 120mm ANGLES $\pm 0.30$ mm (0.12") $\pm 0.25$ mm (0.10") $\pm 0.3$ mm (0.12") $\pm 0.1$ °	DRAWN G. ANTONINI	DATE 16-Jan-07	TITLE QN PLUG FOR RG-393/U CABLE			Amphenol RF Danbury CT USA, Tainan, Taiwan, Shenzhen, China www.amphenolrf.com	
	ENGINEER G. ANTONINI	DATE 16-Jan-07					
	REFERENCE EAR#2003 AND CONFIGURATION LEVEL: <input type="checkbox"/> <input type="checkbox"/> <input type="checkbox"/>	APPROVED	DATE	SCALE: 4.0:1.0 SHEET 2 OF 2		ITEM NO.	
	FINISH	Root Folder/QN/90-106P-51S		DWG SIZE B	CODE ID 74868	REV 2	90-106P-51S

NOTICE - These drawings, specifications, or other data (1) are, and remain the property of Amphenol corp. (2) must be returned upon request; and (3) are confidential and not to be disclosed to any person other than those to whom they are given by Amphenol Corp. the furnishing of these drawings, specifications, or other data by Amphenol Corp., or to any other person to anyone for any purpose is not to be regarded by implication or otherwise in any manner licensing, granting rights to permitting such holder or any other person to manufacture, use or sell any product, process or design, patented or otherwise, that may in any way be related to or disclosed by said drawings, specifications, or other data.