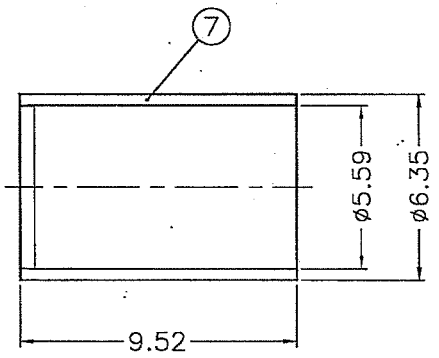
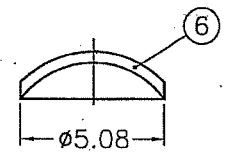
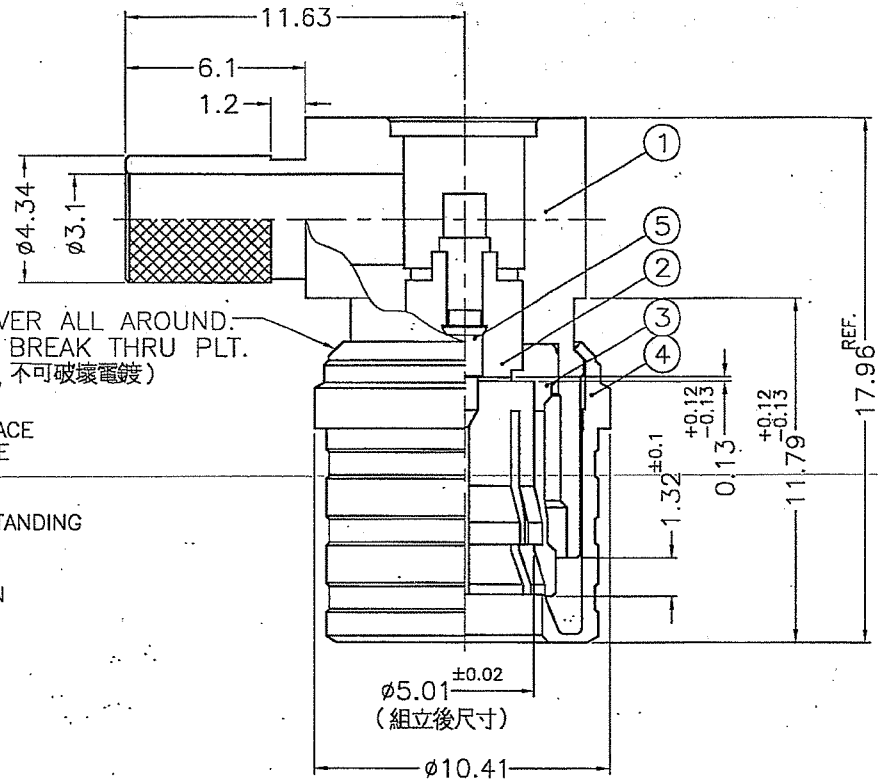


| REVISIONS | | | |
|-----------|------|---|--|
| ISS | ZONE | DESCRIPTION\PER REQUEST\DATE | |
| B | A-3 | NO.3 WAS CHANGED\RD-DM06072801C\08-14-06' | |
| C | A-3 | NO.4 WAS CHANGED\RD-DM06121501J\12-19-06' | |
| D | A-3 | NO.4 WAS CHANGED\RD-DM07060601K\06-18-07' | |



FORM OVER ALL AROUND.
DO NOT BREAK THRU PLT.
(全周成形, 不可破壞電鍍)



- REMARK: 1. NO.5 IS A PRESS FIT INTO FRONT NO.2 AND MUST MEET INTERFACE DIMENSION AS SHOWN. SLOT SHOULD BE ORIENTED TO SIDE HOLE AS SHOWN ±2°
(NO.5 組入 NO.2 後, 須符合圖面所示尺寸, 且 NO.5 的剖溝與主體側孔中心線平行 ±2° 以內)
2. NO.4 MUST BE FREE TURNING AND MUST BE CAPABLE OF WITHSTANDING A PULL-OFF FORCE OF 30 LBS. MIN. AFTER FORMING
(NO.4 成形後可自由轉動且至少需承受 30 LBS.的拉力)
3. NO.5 MUST WITHSTAND AN AXIAL FORCE OF 6 LBS. AND MAINTAIN THE INTERFACE DIMENSIONS
(NO.5 至少需承受 6 LBS.的軸向推出力量且保持界面尺寸)

- NOTES: FINISH (PLATING THICKNESS IN MICRO-INCHES)
1. BRASS PER QQ-B-626
 2. PHOSPHOR BRONZE PER QQ-B-750
 3. ALBALOY PLATING (COPPER-TIN-ZINC) PL. 80 MIN. THICK
 4. GOLD PL. 30 MIN. THICK OVER NICKEL PL. 100 MIN. THICK OVER NICKEL STRIKE
 5. TEFLON MIL-P-19468

| NO. | DESCRIPTION | MATERIAL | FINISH | Q'TY | DRAWING NO. |
|-----|---------------|----------|---------|------|-------------|
| 7 | FERRULE | COPPER | NOTE 3 | 1 | 31-1357-18 |
| 6 | CAP | NOTE 1 | NOTE 3 | 1 | 901-6209-2 |
| 5 | CONTACT PIN | NOTE 1 | NOTE 4 | 1 | 930-10013 |
| 4 | SLEEVE | NOTE 1 | NOTE 3 | 1 | 930-10004 |
| 3 | OUTER CONTACT | NOTE 2 | NOTE 3 | 1 | 930-10003#B |
| 2 | INSULATOR | NOTE 5 | NATURAL | 1 | 930-10010 |
| 1 | BODY | NOTE 1 | NOTE 3 | 1 | 930-10023 |

| DIMENSIONS ARE IN MILLIMETERS | | | | PART NO. | |
|--|--|--|--|----------|------------------------------|
| UNLESS OTHERWISE SPECIFIED TOLERANCES 0.5-6 = ±0.2 6-30 = ±0.4 30-120 = ±0.6 120-315 = ±1 315-1000 = ±1.6 1000-2000 = ±2.4 | | | | APPROVED | DATE |
| | | | | CHECKED | DATE |
| | | | | DRAWN | DATE |
| | | | | FILE NO. | F:\DWG\CNPD\930\150P\51A-DSZ |
| | | | | SCALE | 4/1 |

| | |
|---|--|
| Amphenol | |
| Danbury, CT, USA - Tainan, Taiwan - Shenzhen, China | |
| TITLE QMA 50 OHM R/A PLUG FOR RG-142 TYPE CABLE | |
| DRAWING NO. 930-150P-51A | |
| ITEM NO. 930-150P-51A | |