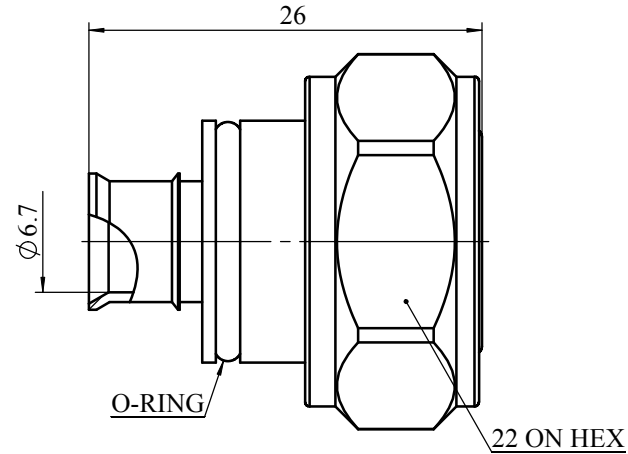
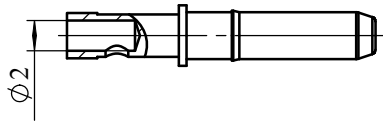


REVISIONS

REV	DESCRIPTION	DATE
0	FIRST RELEASE	2018-6-28



REFERENCE STANDARD	IEC61169-54
1. ELECTRIC PERFORMANCE	
NOMINAL IMPEDANCE(Ω)	50
FREQUENCY RANGE	DC-3GHz
VSWR	≤1.10
PIM(dBc)	≤-160(2*43dBm)
INSERT LOSS	≤0.05
INSULATION RESISTANCE(MΩ)	≥5000
PROOF VOLTAGE(V)	1000
CONTACT RESISTANCE(mΩ)	OUTER CONDUCTOR <1.0 INNER CONDUCTOR<1.0
2. MECHANICAL PERFORMANCE	
NUT TORQUE	5N.m
(NUT)WHORL PULL	500N
TENSILE FORCE(CABLE-CONNECTOR)	250N
TORSION(CABLE-CONNECTOR)	1.5N.m

3. MATERIAL AND PLATING		
INNER CONDUCTOR	BRASS	Ag5μm
OUTER CONDUCTOR	BRASS	COPPER-TIN-ZINC2μm
NUT	BRASS	Ni5μm
INSULATOR	PTFE	
O-RING	SILICONE RUBBER	
4. ENVIRONMENT		
TEMP.RANGE		-40℃~+85℃
WEATHER STANDARD		IEC 60068 40 / 085/ 21
THERMAL SHOCK		IEC 60068 -2-14-Na
VIBRATION		IEC 60068-2-6-Fc
SHOCK		IEC 60068-2-27
WATERPROOFING STANDARD		IP68
ROHS COMPLIANT		
5.ASSEMBLY: INNER AND OUTER CONDUCTOR SOLDERED		

DRAWN	TITLE			 AMPHENOL FUYANG CO.,LTD CHANGZHOU, CHINA		
CHECKED	4.3/10SM-1/4"H					
APPROVED	SHEET	SCALE	METRIC	PART NO.	VER	REV
	1/1	1.5/1	mm	AFDF11-4	2	0