

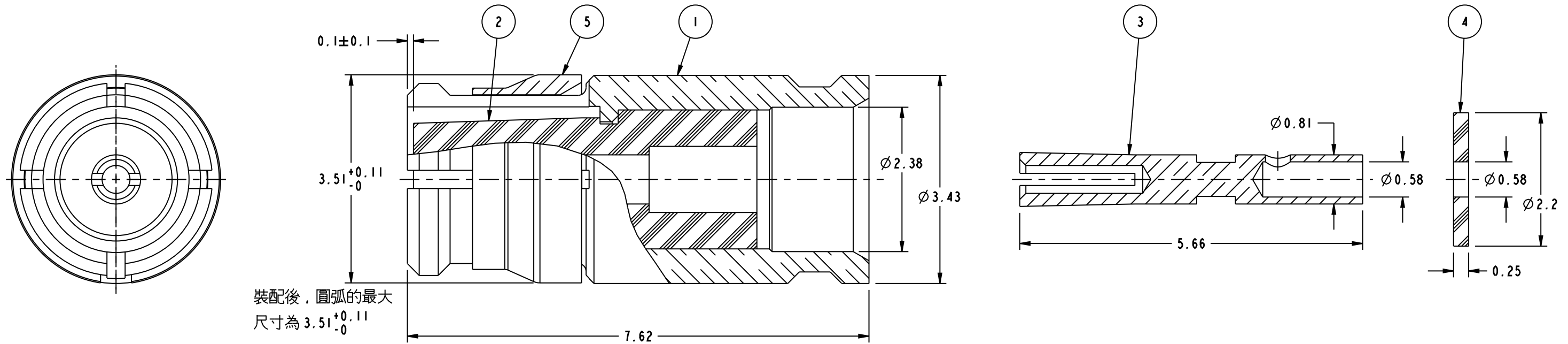
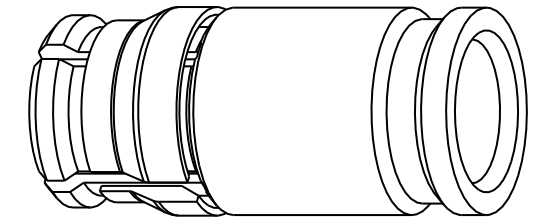
NOTES: FINISH(PLATING THICKNESS IN MICRO-INCHES)

- PLATING PER AMPHENOL SPEC. 349-50560.(FOR USA)  
 PLATING PER KAI JACK SPEC. EP-SS-9700 (FOR CHINA)  
 SUMMARY:  
 RR00ACB01 GOLD PL. 3 MIN. THICK OVER NICKEL PL. 100 MIN. THICK OVER COPPER STRIKE  
 940-10032 GOLD PL. 3 MIN. THICK OVER NICKEL PL. 100 MIN. THICK OVER COPPER STRIKE  
 BD37AAQ01 GOLD PL. 3 MIN. THICK OVER NICKEL PL. 100 MIN. THICK OVER COPPER STRIKE
- ITEMS 3,4 ARE PACKAGED LOOSE.  
 ITEMS 3,4 為散裝件

THIRD ANGLE PROJ.

REVISIONS

REV	DESCRIPTION	DATE	ECO	APPR
A	RELEASE TO MFG.	19-Jan-09	--	KL
B	3.51 <sup>+0.11</sup> <sub>-0</sub> WAS $\phi$ 3.51 <sup>+0.07</sup> <sub>-0</sub> AND ITEM 2 WAS CHANGED/RD-DM09020201S1	9-Feb-09	--	SH
C	ITEM 1 AND 2 WERE CHANGED/RD-DM041401S1	20-Apr-09	--	SH
D	ADD PART NO./RD-DM10111701F	18-Nov-10		SH



RR00ACB01	GI	1	5	RETAINER RING	NOTE 1	BERYLLIUM COPPER
940-10033		1	4	INSULATOR	NATURAL	PTFE
940-10032	GI	1	3	CONTACT PIN	NOTE 1	BERYLLIUM COPPER
NS37AAK01		1	2	INSULATOR	NATURAL	PTFE
BD37AAQ01	GI	1	1	BODY	NOTE 1	BERYLLIUM COPPER
PART NUMBER	PLTG	QTY.	ITEM	DESCRIPTION	FINISH	MATERIAL

UNLESS OTHERWISE SPECIFIED, DIMENSIONS ARE IN METRIC AND TOLERANCES ARE:  
 <0.5mm ±0.05mm    0.5 - 6mm ±0.1mm    6 - 30mm ±0.2mm    30 - 120mm ±0.3mm    ANGLES ±1°

NOTICE - These drawings, specifications, or other data (1) are, and remain the property of Amphenol corp. (2) must be returned upon request; and (3) are confidential and not to be disclosed to any person other than those to whom they are given by Amphenol Corp. The furnishing of these drawings, specifications, or other data by Amphenol Corp., or to any other person to anyone for any purpose is not to be regarded by implication or otherwise in any manner licensing, granting rights to permitting such holder or any other person to manufacture, use or sell any product, process or design, patented or otherwise, that may in any way be related to or disclosed by said drawings, specifications, or other data.

MATERIAL

DRAWN  
F. WANG

DATE  
18-Nov-10

TITLE  
SMP STRAIGHT JACK (FOR  
.085, .086, HFE100D,  
RG-405-UJ CALBE)

Amphenol RF  
Danbury CT USA, Tainan, Taiwan, Shenzhen, China  
www.amphenolrf.com

REFERENCE  
EAR02709  
SMP-FS-C07.048-12-005

APPROVED  
S. HSIEH

DATE  
20-Apr-09

SCALE: 15.0:1.0 SHEET 1 OF 2

DRAWING NO. SMP6181B1-002-3GT3G-50

FINISH

CAD FILE  
1:SMP/SMP6181B1-002-3GT3G-50

DWG SIZE  
B

REV  
D

ITEM NO. 376181AAA45GB5F

PART NO. SMP-FS-C07-R