

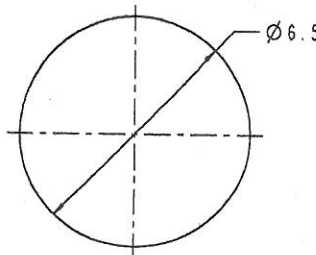
THIRD ANGLE PROJ.

REVISIONS

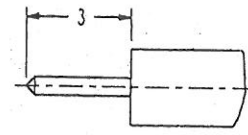
REV	DESCRIPTION	DATE	ECO	APPR
1	PRELIMINARY RELEASE	17-Nov-07		RL

NOTES:

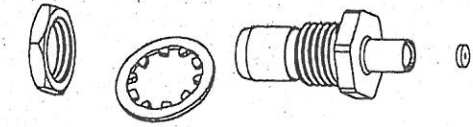
- MATERIALS AND FINISHES (PLATING THICKNESS IN MICRO-INCHES):
 BODY - BRASS, NICKEL PLATING
 CONTACT - PHOSPHOR BRONZE, GOLD PLATING
 INSULATOR - PTFE
- ELECTRICAL:
 A. IMPEDANCE: 50 OHM
 B. FREQUENCY RANGE: DC - 3 GHz
 C. VSWR: 1.3 MAX.
 D. DIELECTRIC WITHSTANDING VOLTAGE: 1000 VRMS, MIN.
- MECHANICAL:
 A. DURABILITY: 500 CYCLES MIN.
 B. TEMPERATURE RANGE: -65° C TO +165° C
- PANEL THICKNESS: 2.4 MM MAX.



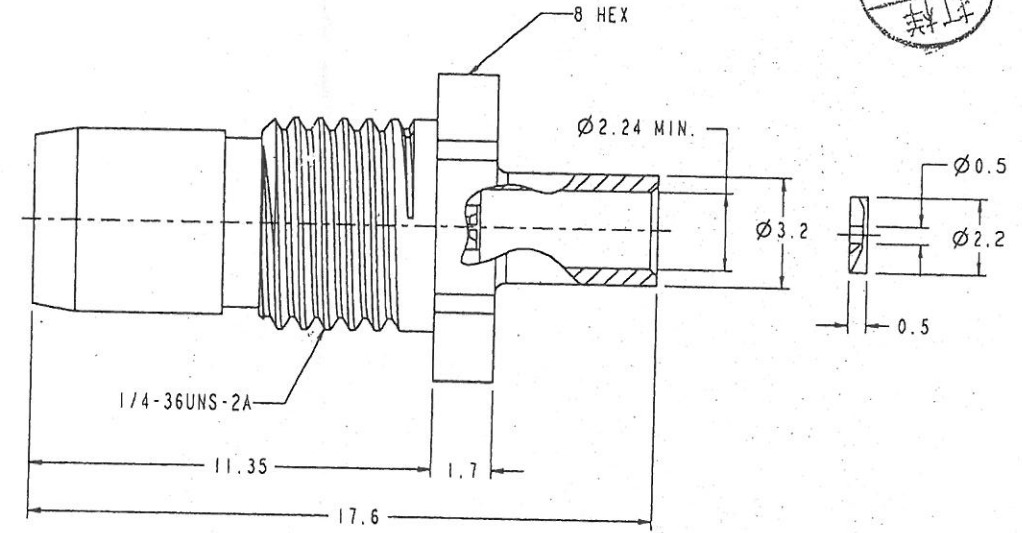
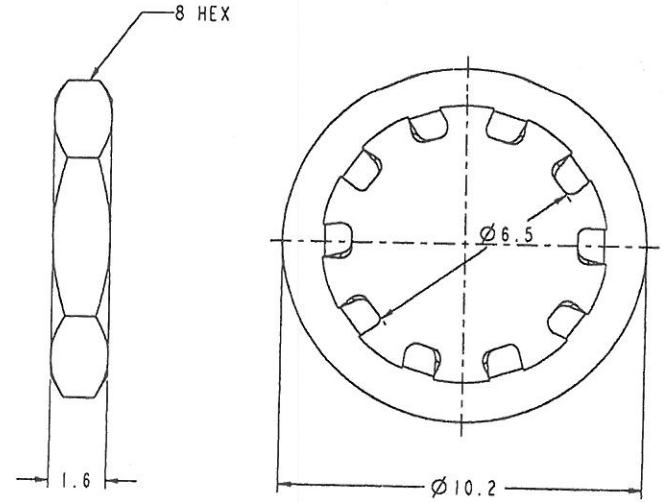
RECOMMENDED MOUNTING HOLE



RECOMMENDED CABLE STRIPPING DIM'S



SCALE 2.000



CUSTOMER OUTLINE DRAWING
 ALL OTHER SHEETS ARE FOR INTERNAL USE ONLY

LESS OTHERWISE SPECIFIED, DIMENSIONS ARE IN METRIC AND TOLERANCES ARE:
 0.5 - 6mm ±0.1mm
 6 - 30mm ±0.2mm
 30 - 120mm ±0.3mm
 ANGLES ±1°

NOTE - These drawings, specifications, or other data (1) are, and remain the property of Amphenol Corp. (2) must be returned upon request; and (3) are confidential and not to be disclosed to any person other than those to whom they are furnished by Amphenol Corp. The furnishing of these drawings, specifications, or other data by Amphenol Corp., or to any other person for any purpose is to be regarded by implication or otherwise in any manner licensing, granting authority to permit such holder or any other person to manufacture, use or sell any article, process or design, patented or otherwise, that may in any way be related to or disclosed by said drawings, specifications, or other data.

MATERIAL	DRAWN	DATE	TITLE BMA BULKHEAD DIRECT SOLDER PLUG (FOR .085 CABLE)		Amphenol RF Danbury CT USA, Tainan, Taiwan, Shenzhen, China www.amphenolrf.com	
	R. LUO	17-Nov-07				
REFERENCE	ENGINEER	DATE	SCALE: 7.0:1.0		SHEET 2 OF 2	
	Harry	17-Nov-07				
FINISH	APPROVED	DATE	DWG SIZE	CODE ID	REV	DRAWING NO. BMA1481A2-NT30G-.085-50
	Angela W > 1-Nov-07		B	74868	1	
	CAD FILE		ITEM NO. 301481AAA45NC5F		PART NO.	
	1:\BMA\BMA1481A2-NT30G-085-50					