

NOTES:

1. MATERIAL AND FINISH:
 BODY - BRASS, ALBALOY PLATING
 CONTACT - BERYLLIUM COPPER, SILVER PLATING
 INSULATOR - PTFE, NATURAL

2. ELECTRICAL:

- A. IMPEDANCE: 50 OHM
- B. FREQUENCY RANGE: DC TO 12 GHz
- C. VSWR: 1.08 MAX. @ DC TO 3 GHz
- D. DIELECTRIC WITHSTANDING VOLTAGE: 1500 VRMS, MIN.
- E. INSULATION RESISTANCE: 5000 MΩ MIN
- F. INTERMODULATION(3rd order): -168 dBc MAX. (2*43 dBm @ 2100MHz)

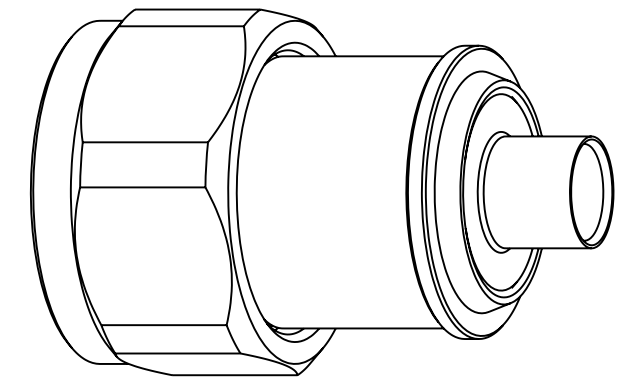
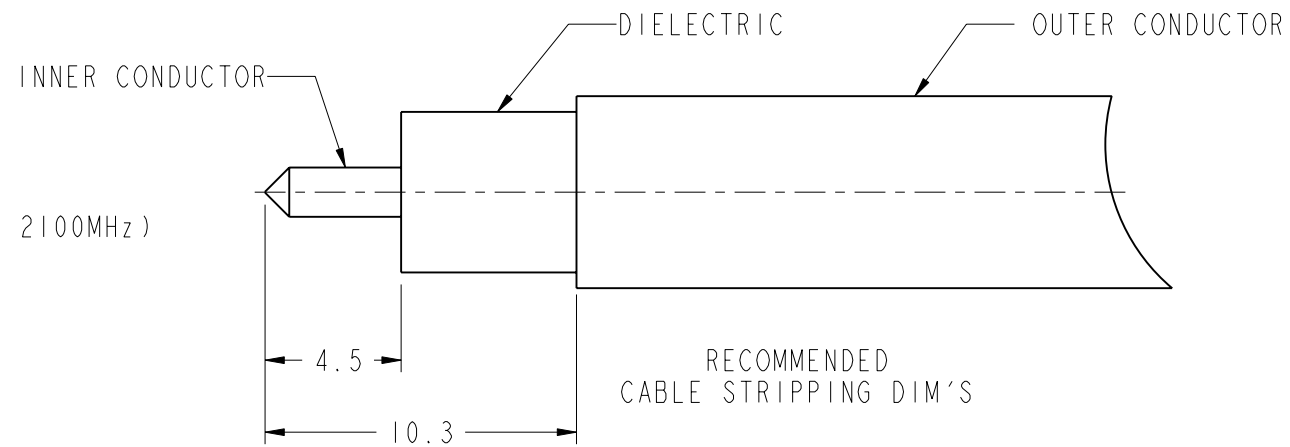
3. MECHANICAL:

- A. DURABILITY: 500 CYCLES MIN.
- B. TEMPERATURE RANGE: -55°C TO +125°C

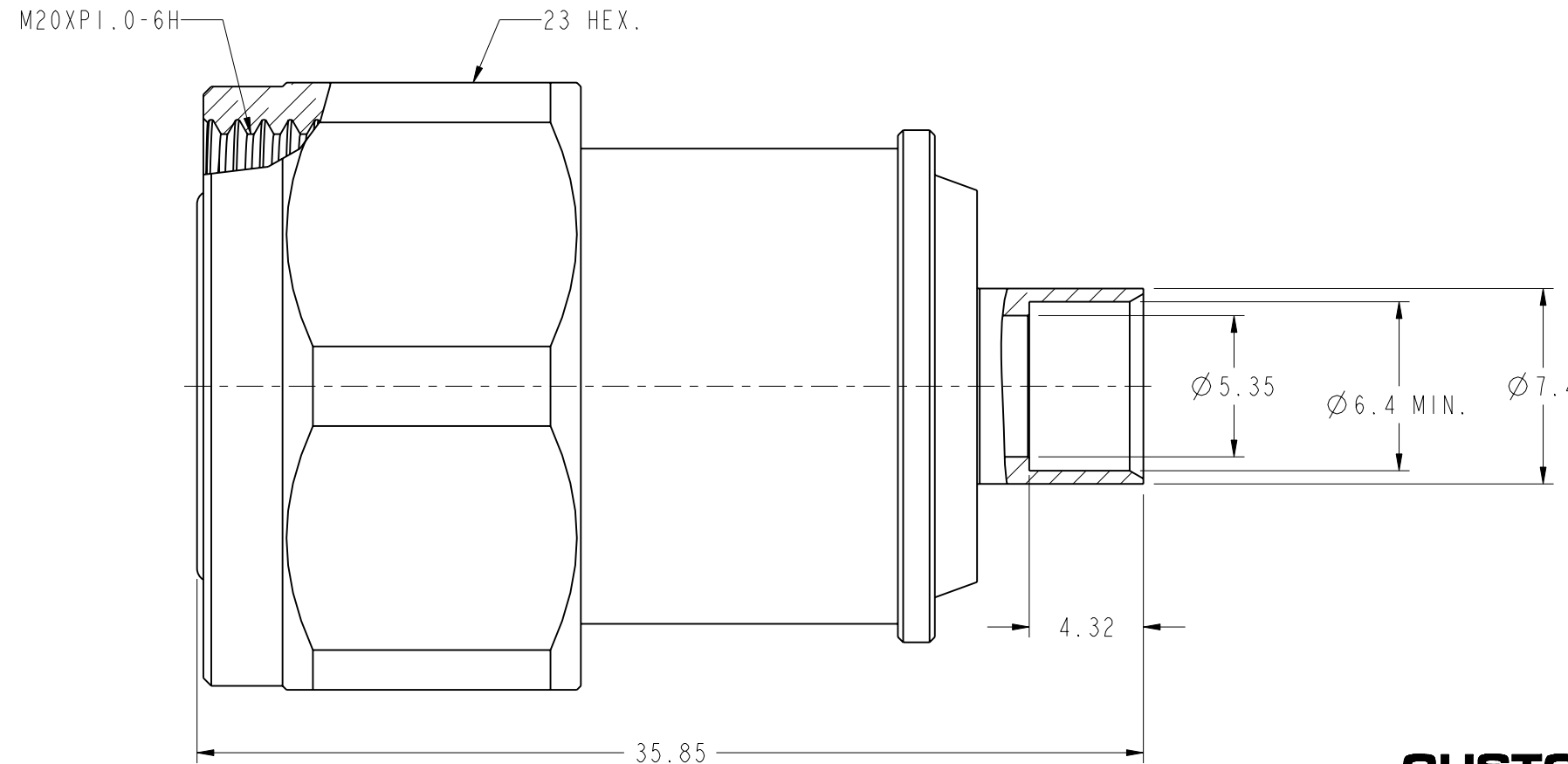
THIRD ANGLE PROJ.

REVISIONS

REV	DESCRIPTION	DATE	ECO	APPR
A	RELEASE TO MFG	06-Oct-15		SW



SCALE 2.000



CUSTOMER OUTLINE DRAWING

ALL OTHER SHEETS ARE FOR INTERNAL USE ONLY

UNLESS OTHERWISE SPECIFIED, DIMENSIONS ARE IN METRIC AND TOLERANCES ARE: <0.5mm ±0.05mm 0.5 - 6mm ±0.1mm 6 - 30mm ±0.2mm 30 - 120mm ±0.3mm ANGLES ±1°	MATERIAL	DRAWN STAMN	DATE 09-Oct-15	TITLE 4.3-10 PLUG FOR .25 CABLE	Amphenol RF www.amphenolrf.com	
	REFERENCE EAR 6634	ENGINEER RICKSON	DATE 09-Oct-15			DRAWING NO. 43101181A3-ATS-25-50
NOTICE - These drawings, specifications, or other data (1) are, and remain the property of Amphenol corp. (2) must be returned upon request; and (3) are confidential and not to be disclosed to any person other than those to whom they are given by Amphenol Corp. the furnishing of these drawings, specifications, or other data by Amphenol Corp., or to any other person to anyone for any purpose is not to be regarded by implication or otherwise in any manner licensing, granting rights to permitting such holder or any other person to manufacture, use or sell any product, process or design, patented or otherwise, that may in any way be related to or disclosed by said drawings, specifications, or other data.	FINISH	APPROVED S. HSIEH	DATE 09-Oct-15	SCALE: 4.0:1.0 SHEET 2 OF 2	ITEM NO. 881181AAC03AB5F	
			CAD FILE I:4310\43101181A3-ATS-25-50		DWG SIZE B	PART NO.
					REV A	