

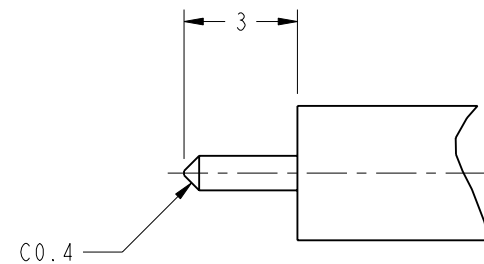
NOTES:

1. MATERIALS AND FINISHES:
 BODY - BRASS, GOLD PLATING
 CONTACT - PHOSPHOR BRONZE, GOLD PLATING
 INSULATOR - PTFE, NATURAL
2. ELECTRICAL:
 A. IMPEDANCE: 50 OHM
 B. FREQUENCY RANGE: DC TO 4 GHz
 C. DIELECTRIC WITHSTANDING VOLTAGE: 1000 VRMS, MIN.
 D. INSULATION RESISTANCE: 5000 MΩ MIN
 E. CONDUCTOR RESISTANCE:
 OUTER CONDUCTOR: 2 mΩ MAX.
 INNER CONDUCTOR: 3 mΩ MAX.
3. MECHANICAL:
 A. DURABILITY: 500 CYCLES MIN.
 B. TEMPERATURE RANGE: -65° C TO +165° C
4. MAX. PANEL THICKNESS = 2.9 MM
5. ALL MATERIALS MUST BE ROHS COMPLIANT.

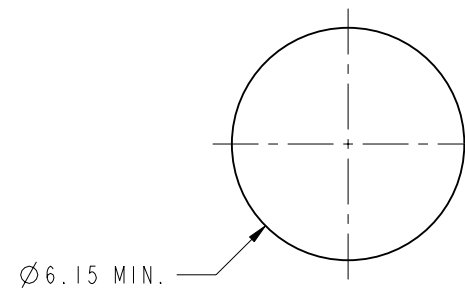
THIRD ANGLE PROJ.

REVISIONS

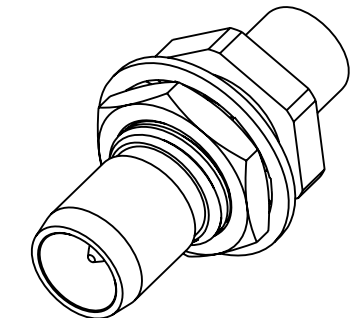
REV	DESCRIPTION	DATE	ECO	APPR
A	RELEASE TO MFG.	25-Apr-14		TD



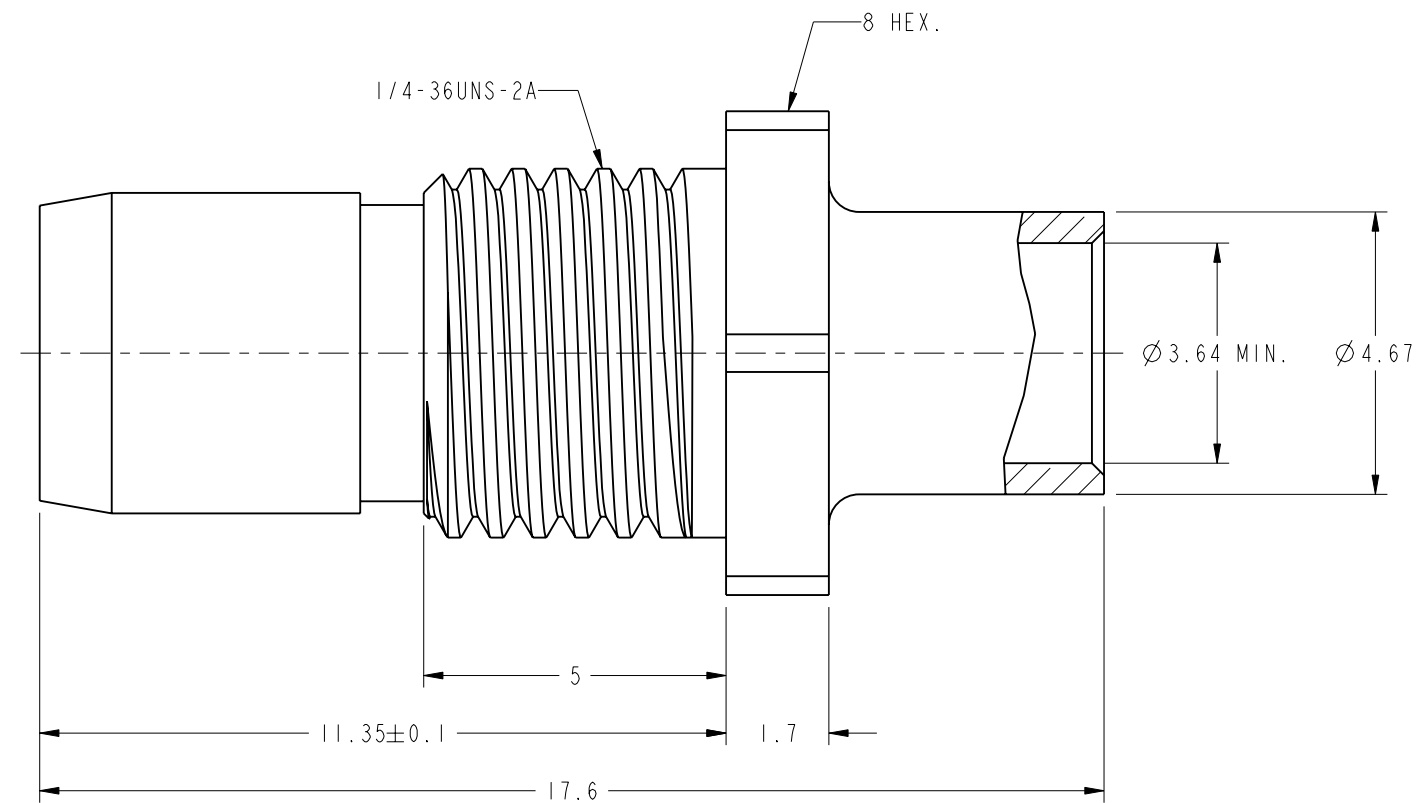
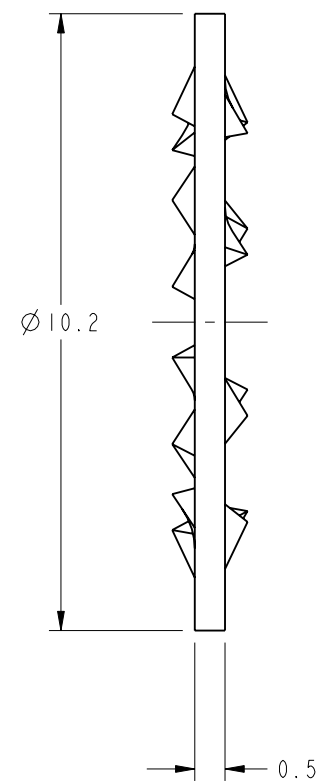
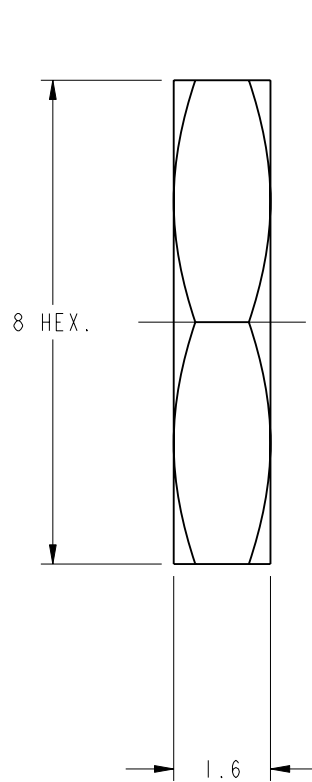
SCALE 5.000
RECOMMENDED
CABLE STRIPPING DIM'S



SCALE 5.000
RECOMMENDED
MOUNTING HOLE



SCALE 3.000



CUSTOMER OUTLINE DRAWING

ALL OTHER SHEETS ARE FOR INTERNAL USE ONLY

UNLESS OTHERWISE SPECIFIED, DIMENSIONS ARE IN METRIC AND TOLERANCES ARE: <0.5mm ±0.05mm 0.5 - 6mm ±0.1mm 6 - 30mm ±0.2mm 30 - 120mm ±0.3mm ANGLES ±1°	MATERIAL	DRAWN TANGOR	DATE 25-Apr-14	TITLE BMA BULKHEAD DIRECT SOLDER PLUG (FOR .141 CABLE)	Amphenol RF www.amphenolrf.com
	REFERENCE EAR#04771	ENGINEER RICKSON	DATE 25-Apr-14		
NOTICE - These drawings, specifications, or other data (1) are, and remain the property of Amphenol corp. (2) must be returned upon request; and (3) are confidential and not to be disclosed to any person other than those to whom they are given by Amphenol Corp. the furnishing of these drawings, specifications, or other data by Amphenol Corp., or to any other person to anyone for any purpose is not to be regarded by implication or otherwise in any manner licensing, granting rights to permitting such holder or any other person to manufacture, use or sell any product, process or design, patented or otherwise, that may in any way be related to or disclosed by said drawings, specifications, or other data.	CONFIGURATION LEVEL:	APPROVED S. HSIEH	DATE 25-Apr-14	SCALE: 8.0:1.0 SHEET 2 OF 2	ITEM NO. 301481AAA42GE5F
	FINISH	CAD FILE	DWG SIZE B	REV A	PART NO.