

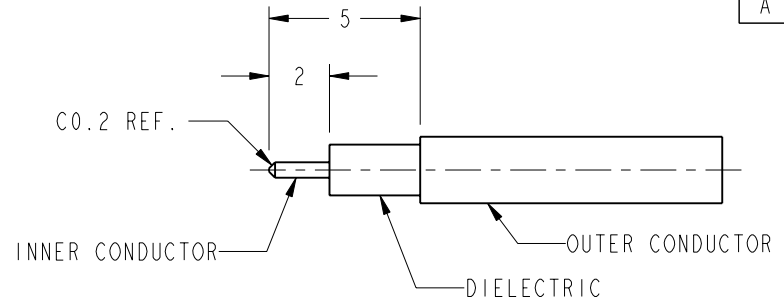
NOTES:

1. MATERIAL AND FINISH:
 BODY - BRASS, ALBALOY PLATING
 CONTACT PIN - PHOSPHOR BRONZE, GOLD PLATING
 INSULATOR - PTFE, NATURAL
2. ELECTRICAL:
 A. IMPEDANCE: 50 OHM
 B. FREQUENCY RANGE: DC - 3 GHz
 C. DIELECTRIC WITHSTANDING VOLTAGE: 335 VRMS. MIN.
 D. VSWR: 1.15 MAX. @ DC - 3 GHz
 E. INSERTION LOSS: 0.1 dB MAX. @ DC - 1 GHz.
3. MECHANICAL:
 A. DURABILITY: 500 CYCLES MIN.
 B. TEMPERATURE RANGE: -55°C TO +125°C

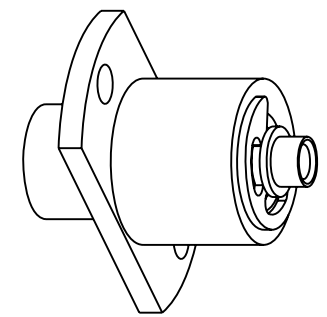
THIRD ANGLE PROJ.

REVISIONS

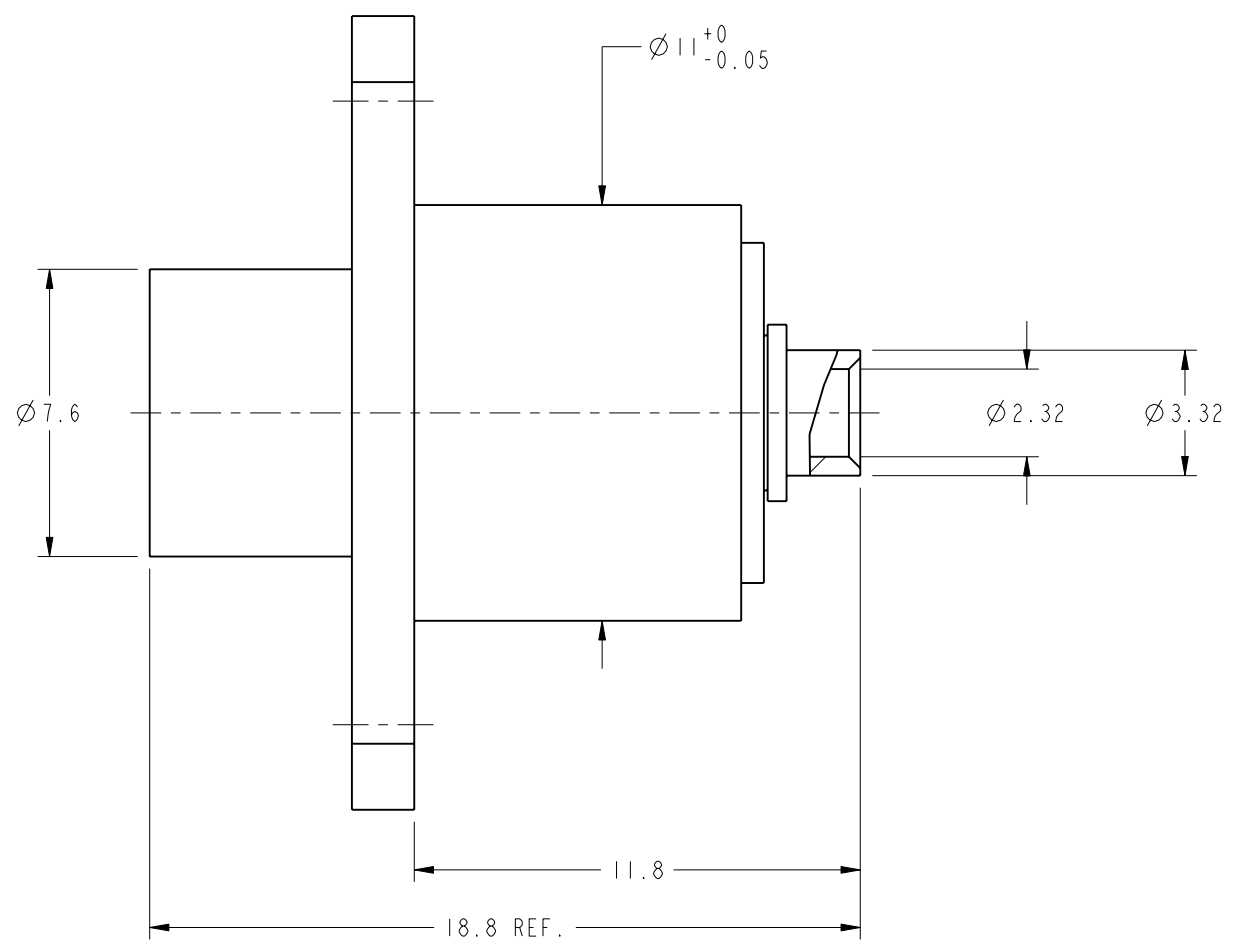
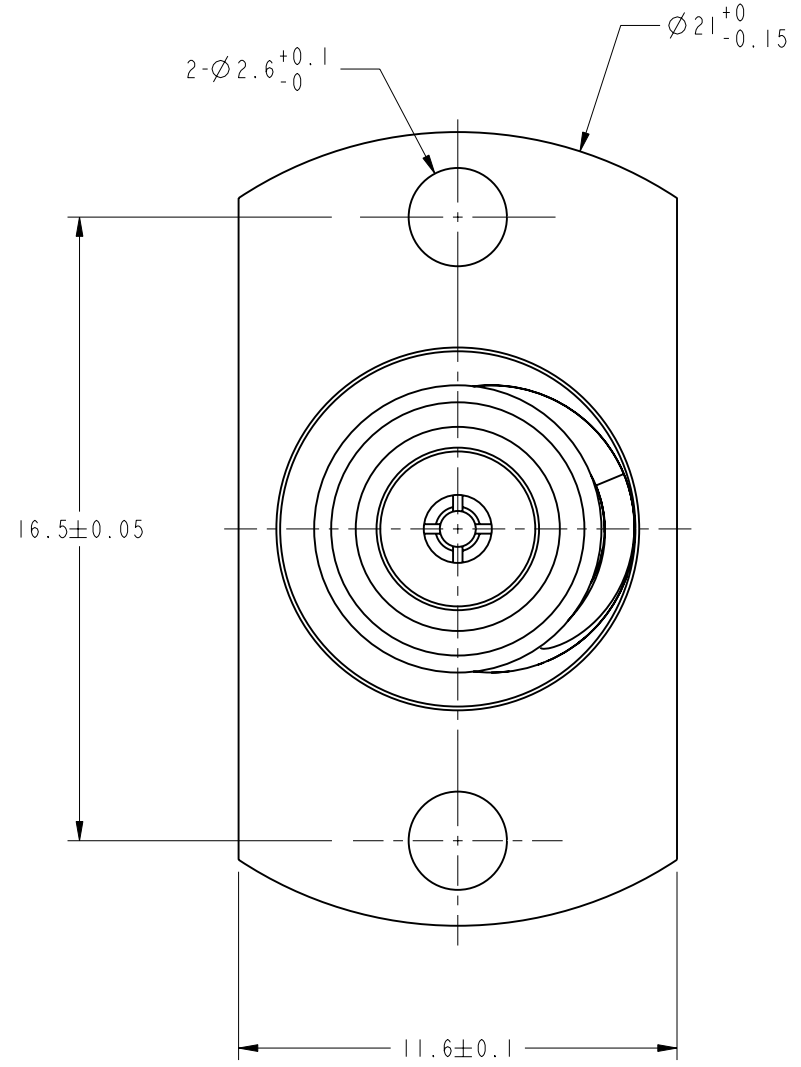
REV	DESCRIPTION	DATE	ECO	APPR
A	RELEASE TO MFG.	24-Dec-14		TD



SCALE 4.000
 RECOMMENDED
 CABLE STRIPPING DIM'S



SCALE 2.000



CUSTOMER OUTLINE DRAWING
 ALL OTHER SHEETS ARE FOR INTERNAL USE ONLY

UNLESS OTHERWISE SPECIFIED, DIMENSIONS ARE IN METRIC AND TOLERANCES ARE: <0.5mm ±0.05mm 0.5 - 6mm ±0.1mm 6 - 30mm ±0.2mm 30 - 120mm ±0.3mm ANGLES ±1°	MATERIAL	DRAWN TANGOR	DATE 24-Dec-14	TITLE BMA PANEL DIRECT SOLDER JACK (FOR .085, .086 CABLE) SCALE: 5.0:1.0 SHEET 2 OF 2	Amphenol RF Danbury CT USA, Tainan, Taiwan, Shenzhen, China www.amphenolrf.com
	REFERENCE EAR06016	ENGINEER RICKSON	DATE 24-Dec-14		
NOTICE - These drawings, specifications, or other data (1) are, and remain the property of Amphenol corp. (2) must be returned upon request; and (3) are confidential and not to be disclosed to any person other than those to whom they are given by Amphenol Corp. the finishing of these drawings, specifications, or other data by Amphenol Corp., or to any other person to anyone for any purpose is not to be regarded by implication or otherwise in any manner licensing, granting rights to permitting such holder or any other person to manufacture, use or sell any product, process or design, patented or otherwise, that may in any way be related to or disclosed by said drawings, specifications, or other data.	CONFIGURATION LEVEL:	APPROVED S. HSIEH	DATE 24-Dec-14	ITEM NO. 306581AAF45DT5F	PART NO.
	FINISH	CAD FILE I:\BMA\BMA6581A1-001-AT5G-50	DWG SIZE B	REV A	