

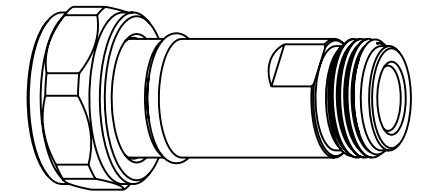
NOTES:

1. MATERIALS AND FINISH:
 BODY - BRASS, ALBALOY PLATING
 CONTACT - BERYLLIUM COPPER, SILVER PLATING
 INSULATOR - PTFE
2. ELECTRICAL:
 A. IMPEDANCE: 50 OHM
 B. FREQUENCY RANGE: DC-3 GHz
 C. VSWR: 1.1 @ DC - 3GHz
 D. DIELECTRIC WITHSTANDING VOLTAGE: 2500 VRMS. MIN.
 E. INTERMODULATION 3RD ORDER: -165 dBc MAX. (2*43 dBm @ 2100MHz)
3. MECHANICAL:
 A. DURABILITY: 500 CYCLES MIN.
 B. TEMPERATURE RANGE: -45°C TO +125°C

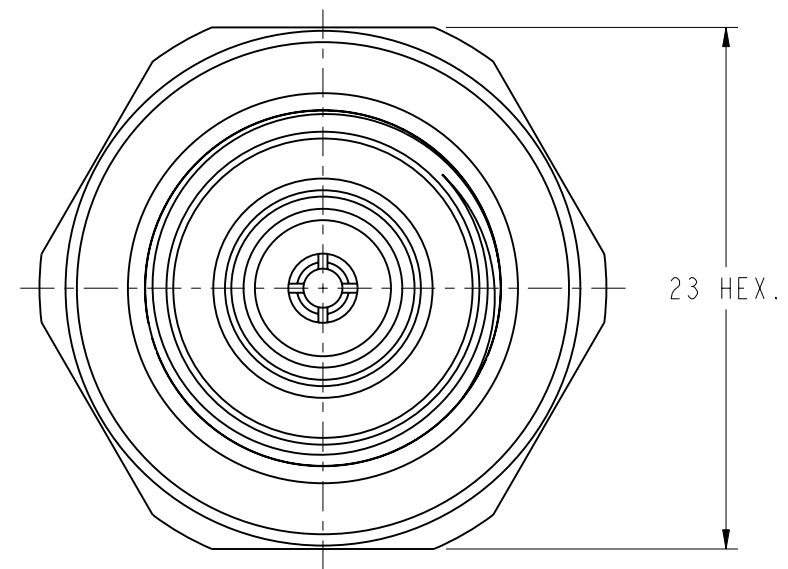
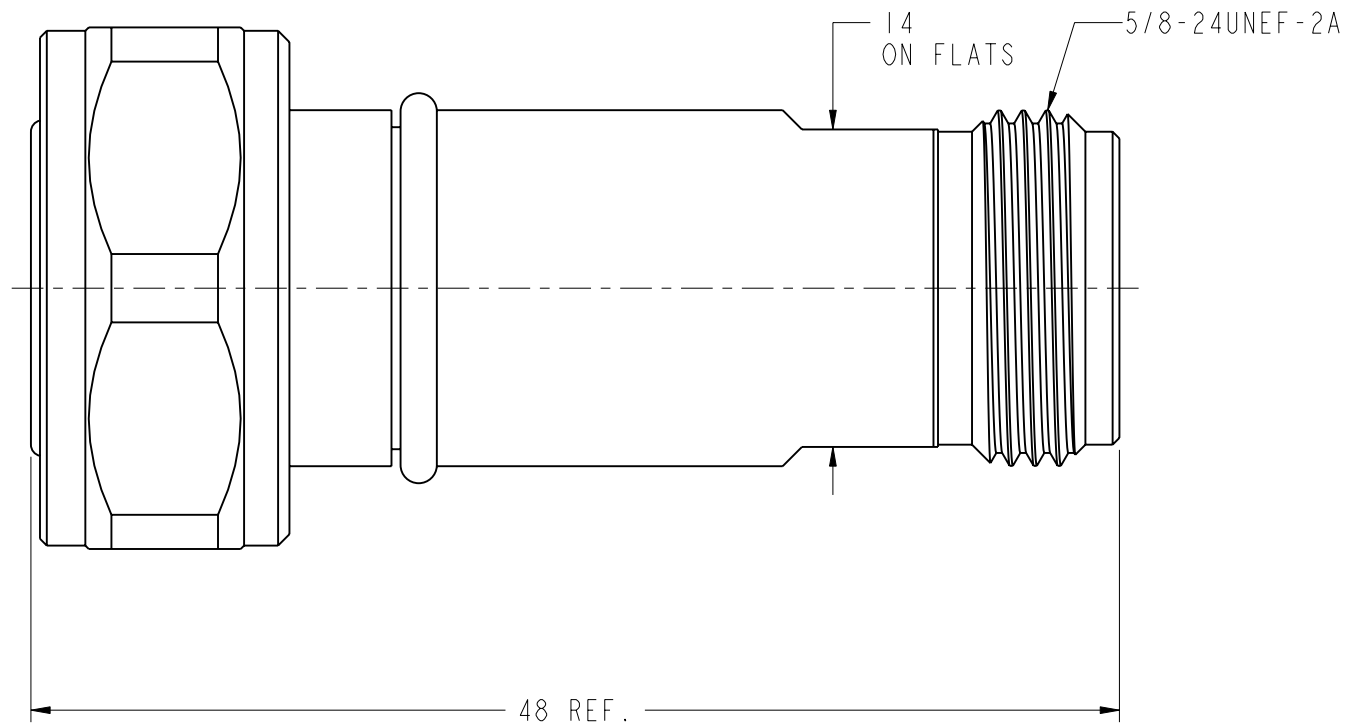
THIRD ANGLE PROJ.

REVISIONS

REV	DESCRIPTION	DATE	ECO	APPR
A	RELEASE TO MFG	11-May-15		SW



SCALE 1.000



CUSTOMER OUTLINE DRAWING

ALL OTHER SHEETS ARE FOR INTERNAL USE ONLY

UNLESS OTHERWISE SPECIFIED, DIMENSIONS ARE IN METRIC AND TOLERANCES ARE: <0.5mm ±0.05mm 0.5 - 6mm ±0.1mm 6 - 30mm ±0.2mm 30 - 120mm ±0.3mm ANGLES ±1°	MATERIAL	DRAWN STAMM	DATE	TITLE TYPE N JACK TO 4.3/10 PLUG ADAPTOR	Amphenol RF Danbury CT USA, Tainan, Taiwan, Shenzhen, China www.amphenolrf.com
		ENGINEER RICKSON	DATE		
NOTICE - These drawings, specifications, or other data (1) are, and remain the property of Amphenol corp. (2) must be returned upon request; and (3) are confidential and not to be disclosed to any person other than those to whom they are given by Amphenol Corp. the furnishing of these drawings, specifications, or other data by Amphenol Corp., or to any other person to anyone for any purpose is not to be regarded by implication or otherwise in any manner licensing, granting rights to permitting such holder or any other sperson to manufacture, use or sell any product, process or design, patented or otherwisle, that may in any way be related to or disclosed by said drawings, specifications, or other data.	REFERENCE AND CONFIGURATION LEVEL:	APPROVED S. HSIEH	DATE	SCALE: 3.0:1.0	SHEET 2 OF 2 REV A
	FINISH	I: ADAPTOR/NF-4310M-ATS-50	DATE	14-May-15	
					DRAWING NO. NF-4310M-ATS-50 ITEM NO. 03F-88M-AB-5-F PART NO.