

NOTES:

1. MATERIAL AND FINISH

BODY BRASS, GOLD PLATING
 CONTACT PIN BRASS, GOLD PLATING
 INSULATOR PEEK, NATURAL

2. ELECTRICAL:

A. IMPEDANCE: 50 OHM
 B. FREQUENCY RANGE: DC-10 GHz
 C. RETURN LOSS(VSWR): 30 dB MIN.@ DC-4 GHz
 25 dB MIN.@ 4-6 GHz
 D. INSULATION LOSS: $0.03X\sqrt{f(\text{GHz})}$ dB MAX.
 E. INSULATION RESISTANCE: 5 GOHM MIN.
 F. POWER HANDLING: 200 W MAX.@ 2.2 GHz AT 20°C
 G. INTERMODULATION(3rd order): -160 dBc MAX.@ 2X43dBm.
 H. DIELECTRIC WITHSTANDING VOLTAGE: 1000 VRMS. MIN.

3. MECHANICAL:

A. MATING CYCLES: 100 MIN.
 B. TEMPERATURE RANGE: -65°C TO +165°C

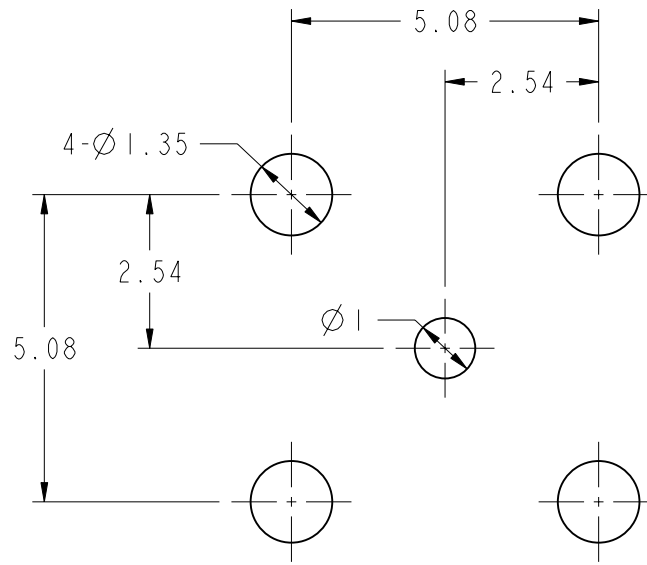
4. PACKAGING:

PACKAGE CONNECTOR IN TAPE WITH 13" REEL QTY OF 550 PCS

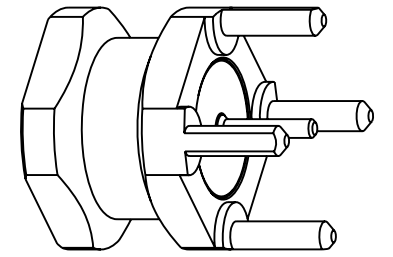
THIRD ANGLE PROJ.

REVISIONS

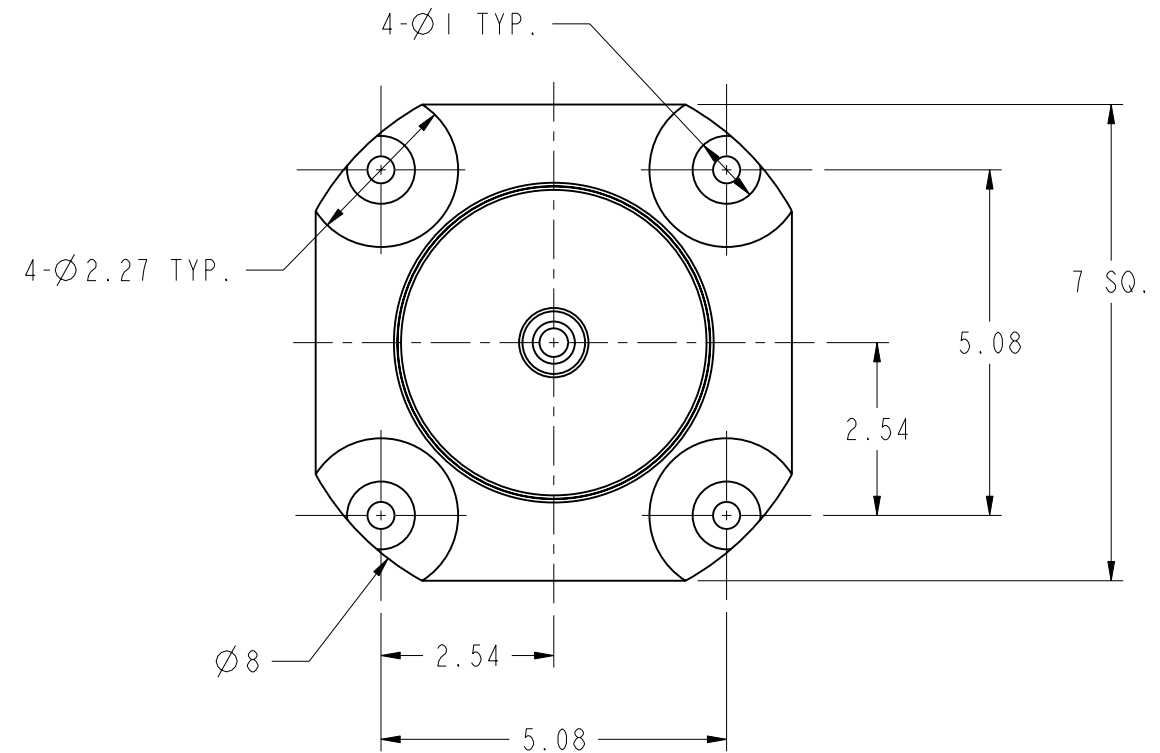
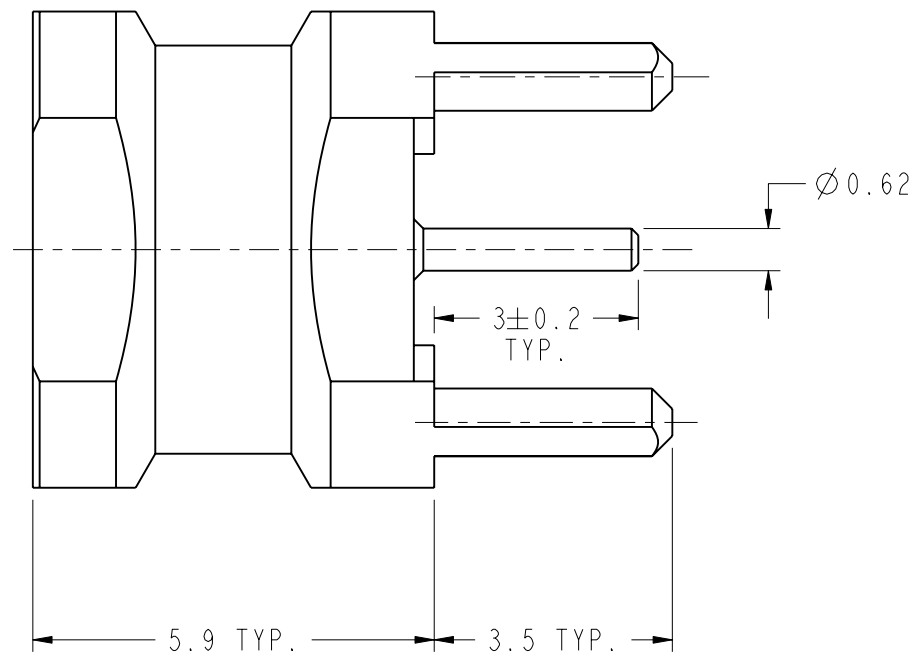
REV	DESCRIPTION	DATE	ECO	APPR
A	RELEASE TO MFG.	19-Aug-13		LL
B	NOTE 4 WAS CHANGED\RD-DMI4051901L2	27-May-14		S.H



SCALE 8.000



SCALE 4.000



CUSTOMER OUTLINE DRAWING

ALL OTHER SHEETS ARE FOR INTERNAL USE ONLY

UNLESS OTHERWISE SPECIFIED, DIMENSIONS ARE IN METRIC AND TOLERANCES ARE:
 0.5 - 6mm ±0.1mm
 6 - 30mm ±0.2mm
 30 - 120mm ±0.3mm
 ANGLES ±1°

NOTICE - These drawings, specifications, or other data (1) are, and remain the property of Amphenol corp. (2) must be returned upon request; and (3) are confidential and not to be disclosed to any person other than those to whom they are given by Amphenol Corp. the finishing of these drawings, specifications, or other data by Amphenol Corp., or to any other person to anyone for any purpose is not to be regarded by implication or otherwise in any manner licensing, granting rights to permitting such holder or any other person to manufacture, use or sell any product, process or design, patented or otherwise, that may in any way be related to or disclosed by said drawings, specifications, or other data.

MATERIAL	DRAWN LITY	DATE
REFERENCE EAR05458 Rosen.119S10H-400L5 ALU:	ENGINEER RICKSON	DATE 19-Aug-13
FINISH PER KAI JACK SPEC.EP-SS-9700	APPROVED S.H	DATE 19-May-14
	CAD FILE	

DATE 19-May-14	TITLE POWER-SMP, PLUG LIMITED DETEND
DATE 19-Aug-13	SCALE: 10.0:1.0
DATE 19-May-14	SHEET 2 OF 2
	DWG SIZE B
	CODE ID
	REV B

TITLE POWER-SMP, PLUG LIMITED DETEND	
SCALE: 10.0:1.0	SHEET 2 OF 2
DWG SIZE B	CODE ID
	REV B

Amphenol RF Danbury CT USA, Tainan, Taiwan, Shenzhen, China www.amphenolrf.com	
DRAWING NO. PSMPI251A1-003-8GPAP8GPA-50	
ITEM NO. 671251ABH022C5F	
PART NO.	